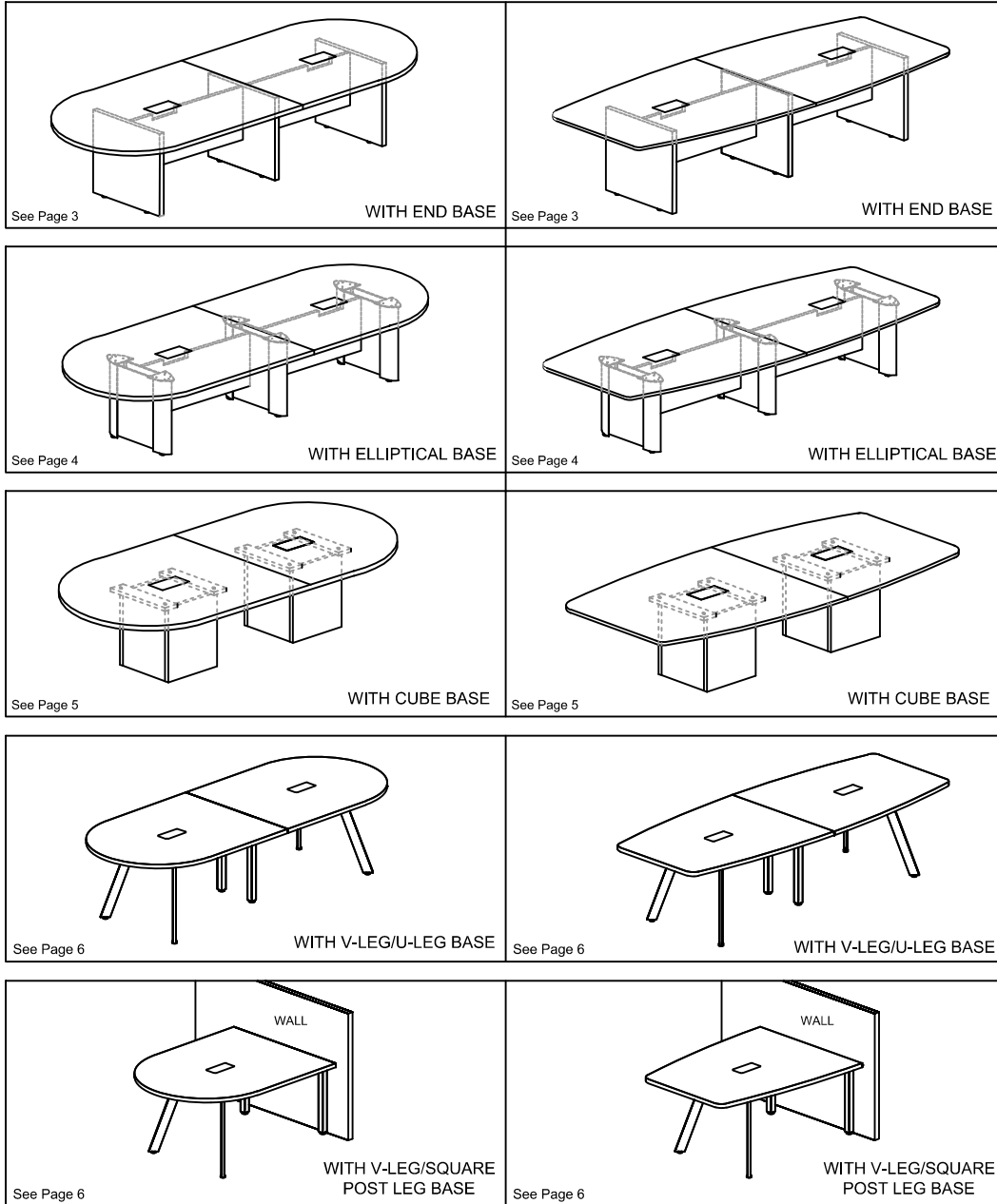
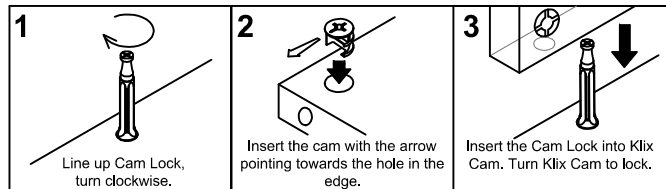


# ASSEMBLY INSTRUCTION FOR 12' RACE TRACK/BOAT SHAPE CONFERENCE TABLE

These instructions apply to all models shown below.



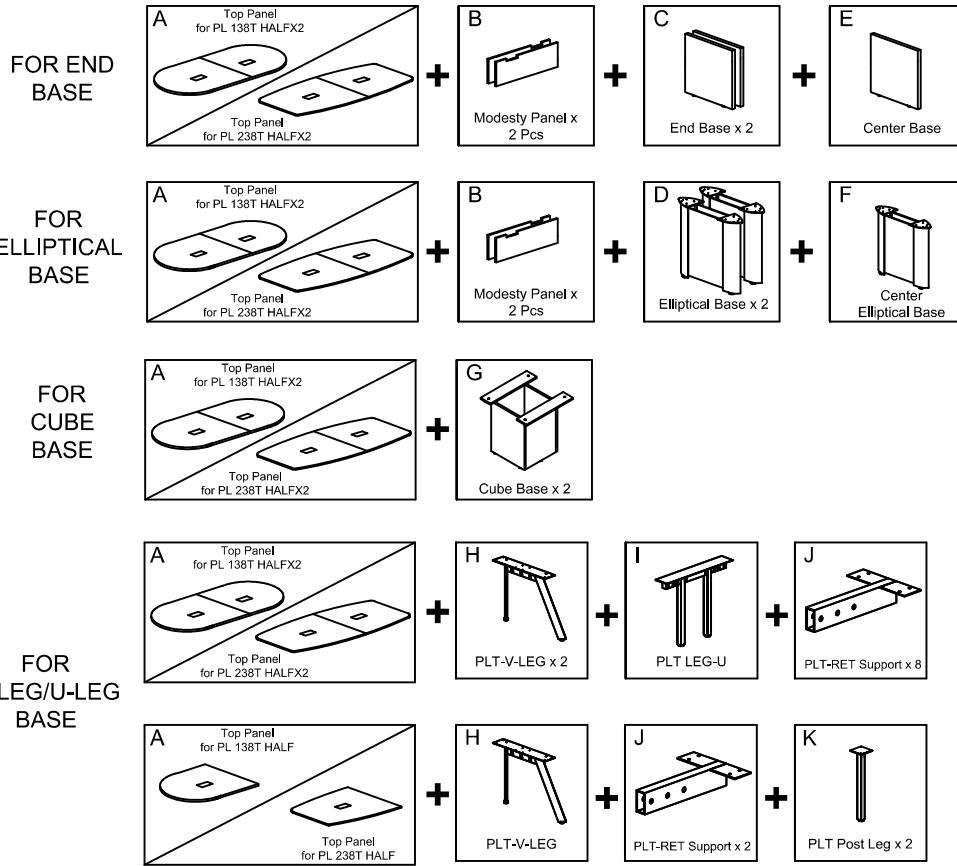
### KLIX CAM INSTRUCTIONS



### IMPORTANT NOTE :

- Place all wooden parts on a clean, smooth surface to prevent the parts from being scratched.
- Check to be sure that you have all parts and hardware.
- Remove all wrapping materials, including staples & packing straps before you start to assemble.
- Do not tighten all screws/bolts until all completely assembled.
- Keep all hardware parts out of reach of children.

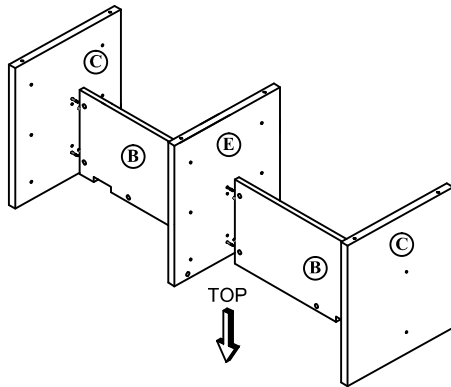
# ASSEMBLY INSTRUCTION FOR 12' RACE TRACK/BOAT SHAPE CONFERENCE TABLE



INCLUDED WITH TABLE TOP	A1 6 Hole L-Bracket 8 Pcs	A2 Flat-Bracket 2 Pcs	A3 Screw #6 x 3/4" 60 Pcs								
INCLUDED WITH END BASES	C1 Cam Lock 10 Pcs	C2 Klix Cam 10 Pcs	C3 Housing Cap (Long) 6 Pcs	C4 Housing Cap (Short) 4 Pcs	C5 Adjustable Glide 4 Pcs	C6 6 Hole L-Bracket 4 Pcs	C7 Screw #6 x 3/4" 24 Pcs	C8 M4 x 65 Allen-Key 1 Pc			
INCLUDED WITH ELLIPTICAL BASES	D1 Cam Lock 6 Pcs	D2 Klix Cam 6 Pcs	D3 Housing Cap (Long) 6 Pcs	D4 Adjustable Glide 4 Pcs	D5 6 Hole L-Bracket 4 Pcs	D6 Screw #6 x 3/4" 24 Pcs	D7 M4 x 65 Allen-Key 1 Pc	D8 CSK Screw M3.5 x 20MM 16 Pcs			
INCLUDED WITH CENTER END BASE	E1 Cam Lock 4 Pcs	E2 Klix Cam 4 Pcs	E3 Housing Cap (Long) 4 Pcs	E4 Adjustable Glide 2 Pcs	E5 6 Hole L-Bracket 4 Pcs	E6 Screw #6 x 3/4" 24 Pcs	E7 M4 x 65 Allen-Key 1 Pc	E8 CSK Screw M3.5 x 20MM 6 Pcs			
INCLUDED WITH CENTER ELLIPTICAL BASE	F1 Cam Lock 4 Pcs	F2 Klix Cam 4 Pcs	F3 Housing Cap (Long) 4 Pcs	F4 Adjustable Glide 2 Pcs	F5 6 Hole L-Bracket 4 Pcs	F6 Screw #6 x 3/4" 24 Pcs	F7 M4 x 65 Allen-Key 1 Pc	F8 CSK Screw M3.5 x 20MM 6 Pcs			
INCLUDED WITH CUBE BASE	G1 Cam Lock 16 Pcs	G2 Klix Cam 16 Pcs	G3 Housing Cap (Long) 16 Pcs	G4 JCBC Screw M6 x 40mm = 4pcs Washer = 4pcs	G5 Adjustable Glide 6 Pcs	G6 M4 x 65 Allen-Key 1 Pc					
INCLUDED WITH V-LEG/U-LEG/SQUARE POST LEG BASES	H1 #6 x 16mm PH Cross Recess Screw 4 Pcs	H2 Screw #4 x 16mm 16Pcs	H3 M4 x 65 Allen-Key 1 Pc	I1 #6 x 16mm PH Cross Recess Screw 4 Pcs	I2 Screw #4 x 16mm 16Pcs	I3 M4 x 65 Allen-Key 1 Pc					
	J1 Screw #4 x 16mm 32Pcs	K1 Screw #4 x 16mm 8Pcs									

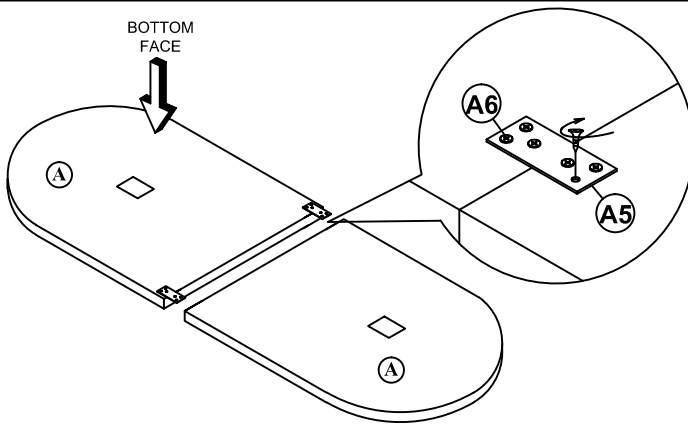
# ASSEMBLY INSTRUCTION FOR 12' RACE TRACK/BOAT SHAPE CONFERENCE TABLE

1



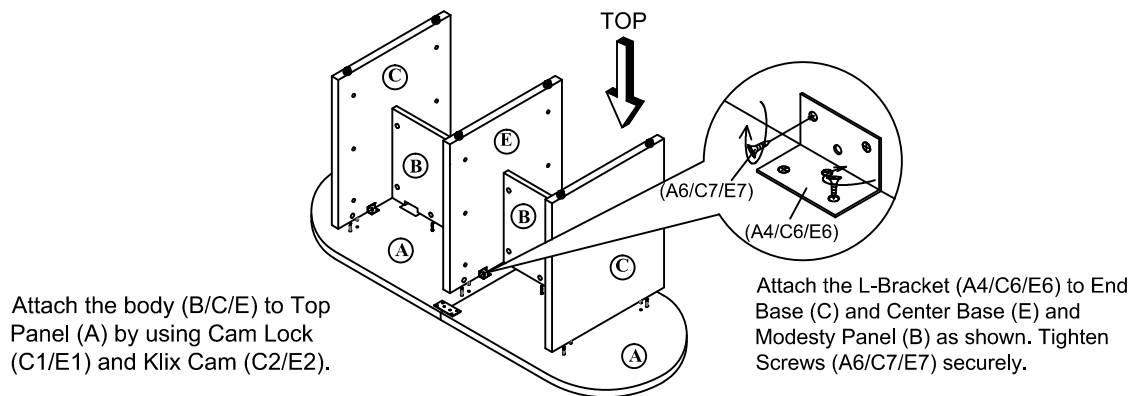
Attach the two End Base (C) and Center Base (E) to Modesty Panel (B) by using Cam Lock (C1) and Klix Cam (C2).

2



Attach the Flat-Bracket (A2) to two Top Panel (A) as shown. Tighten Screws (A3) securely.

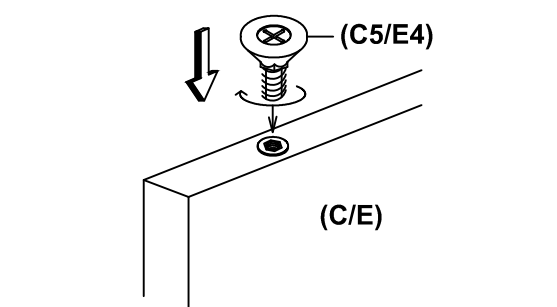
3



Attach the body (B/C/E) to Top Panel (A) by using Cam Lock (C1/E1) and Klix Cam (C2/E2).

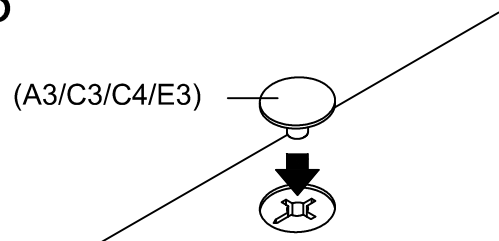
Attach the L-Bracket (A4/C6/E6) to End Base (C) and Center Base (E) and Modesty Panel (B) as shown. Tighten Screws (A6/C7/E7) securely.

4



Screw Adjustable Glide (C5/E4) into bottom of End Base (C) & Center Base (E).

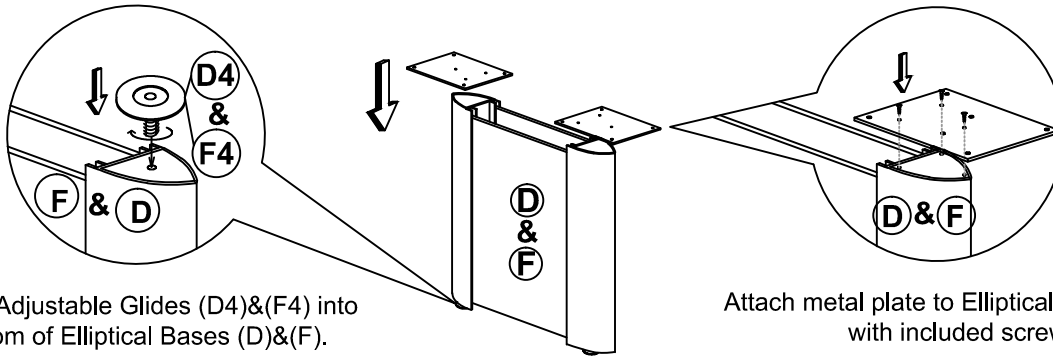
5



Attach Housing Cap (A3/C3/C4/E3) to all Klix Cam (A2/C2/E2) by pushing neck thought center of cam.

# ASSEMBLY INSTRUCTION FOR 12' RACE TRACK/BOAT SHAPE CONFERENCE TABLE

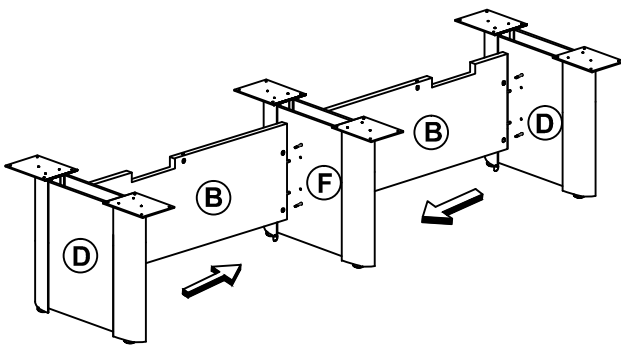
1



Screw Adjustable Glides (D4)&(F4) into bottom of Elliptical Bases (D)&(F).

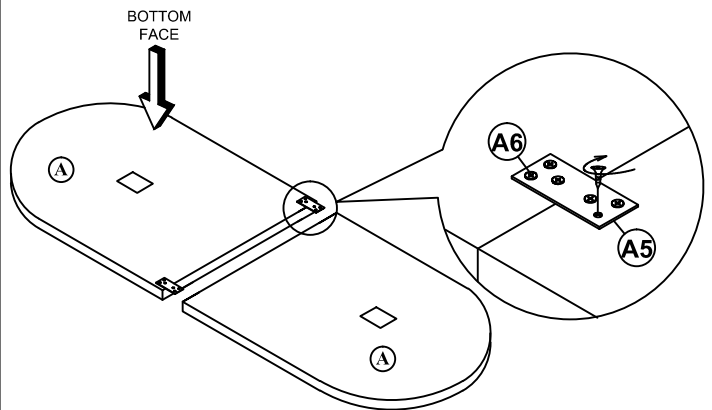
Attach metal plate to Elliptical Base (D)&(F) with included screws.

2



Attach Elliptical Base (D) and Center Elliptical Base (F) to Modesty Panel (B) by using Cam Lock (D1/F1) and Klix Cam (D2/F2).

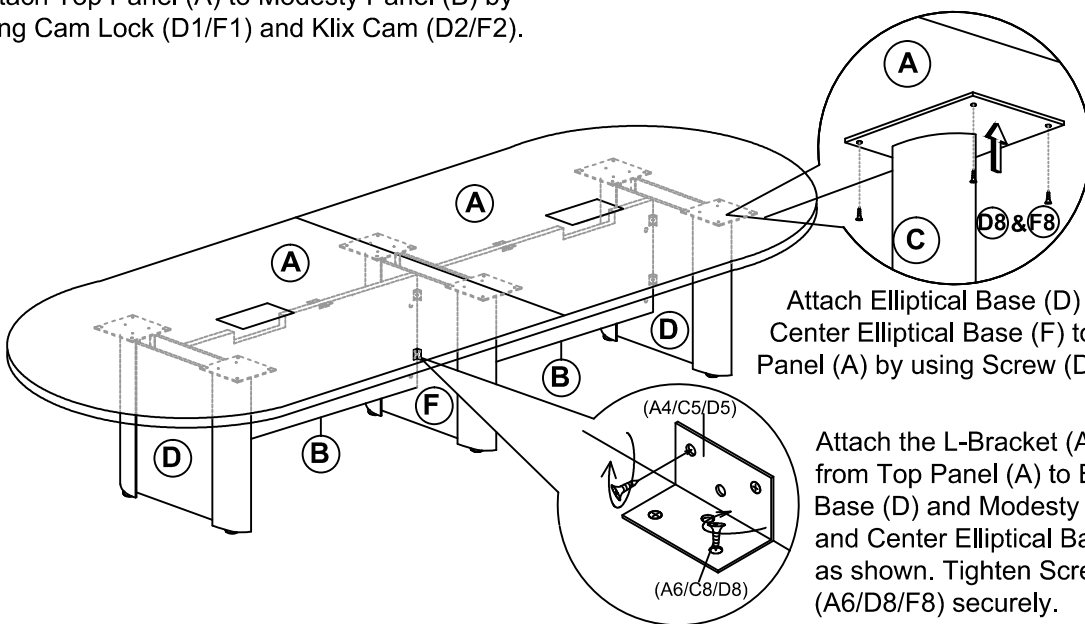
3



Attach the Flat-Bracket (A5) to two Top Panel (A) as shown. Tighten Screws (A6) securely.

4

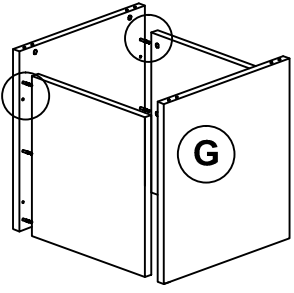
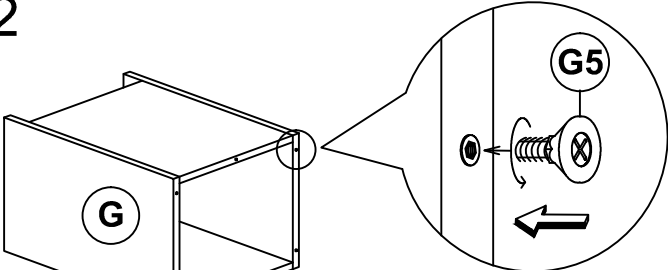
Attach Top Panel (A) to Modesty Panel (B) by using Cam Lock (D1/F1) and Klix Cam (D2/F2).

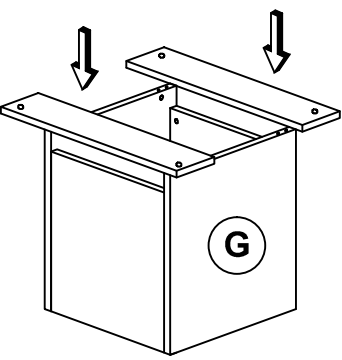
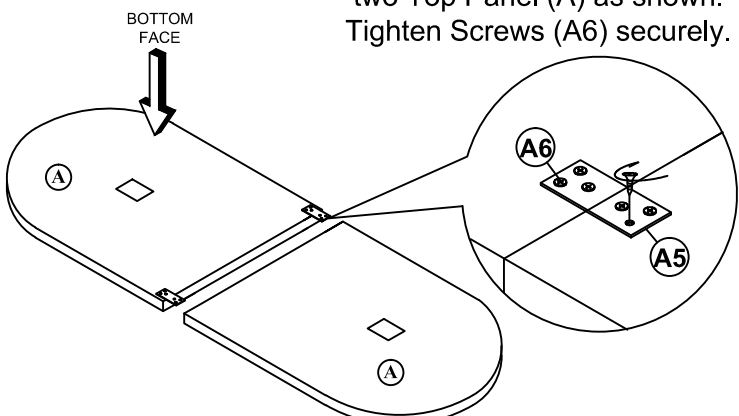


Attach Elliptical Base (D) and Center Elliptical Base (F) to Top Panel (A) by using Screw (D8/F8).

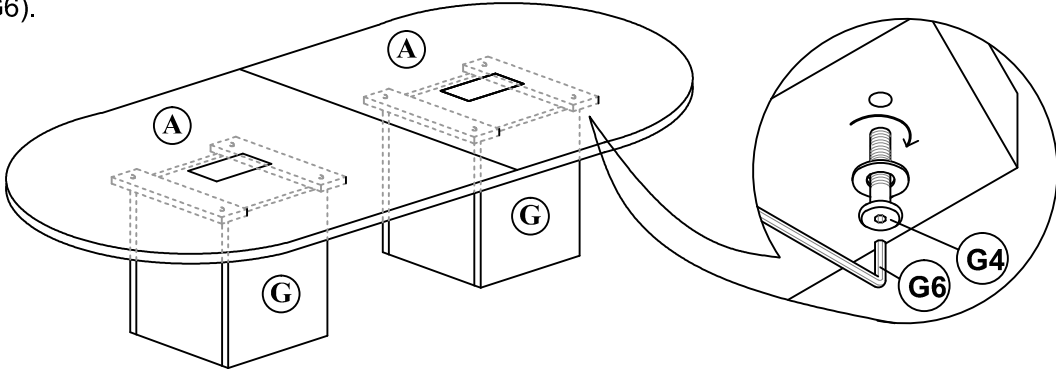
Attach the L-Bracket (A4/D5/F5) from Top Panel (A) to Elliptical Base (D) and Modesty Panel (B) and Center Elliptical Base (F) as shown. Tighten Screws (A6/D8/F8) securely.

**ASSEMBLING TABLE WITH V-LEG BASE**

<p><b>1</b></p>  <p>Attach Cube Base (G) by using Cam Lock (G1) and Klix Cam (G2).</p>	<p><b>2</b></p>  <p>Screw Adjustable Glide (G5) into bottom of End Base (G).</p>
---	--

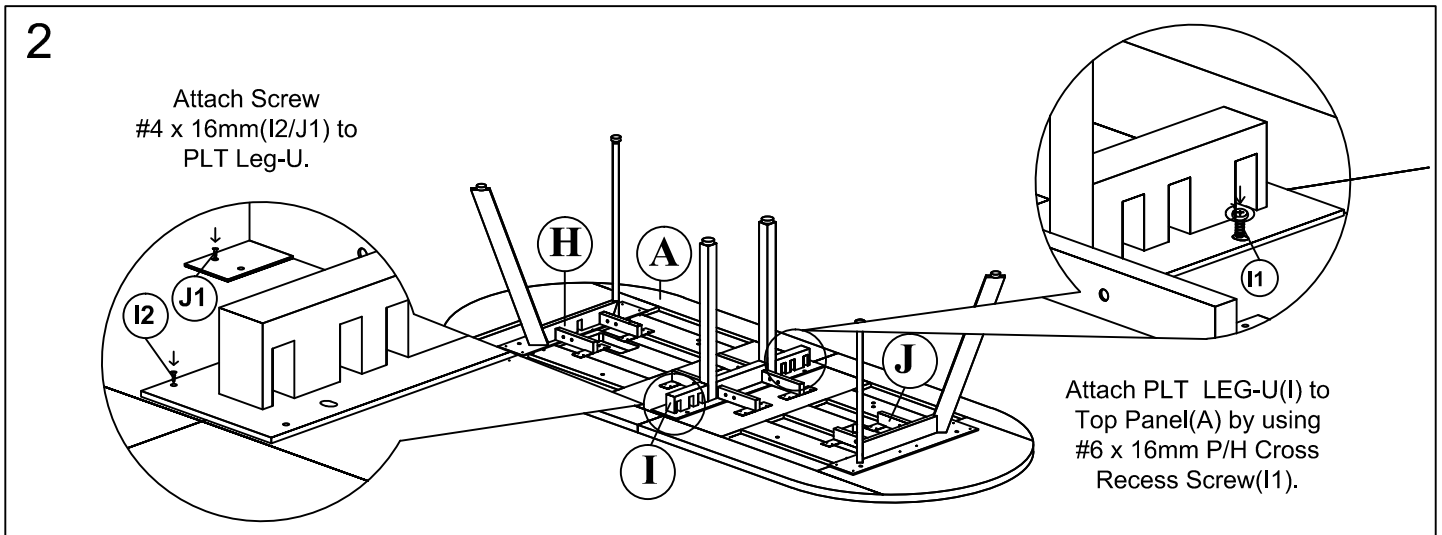
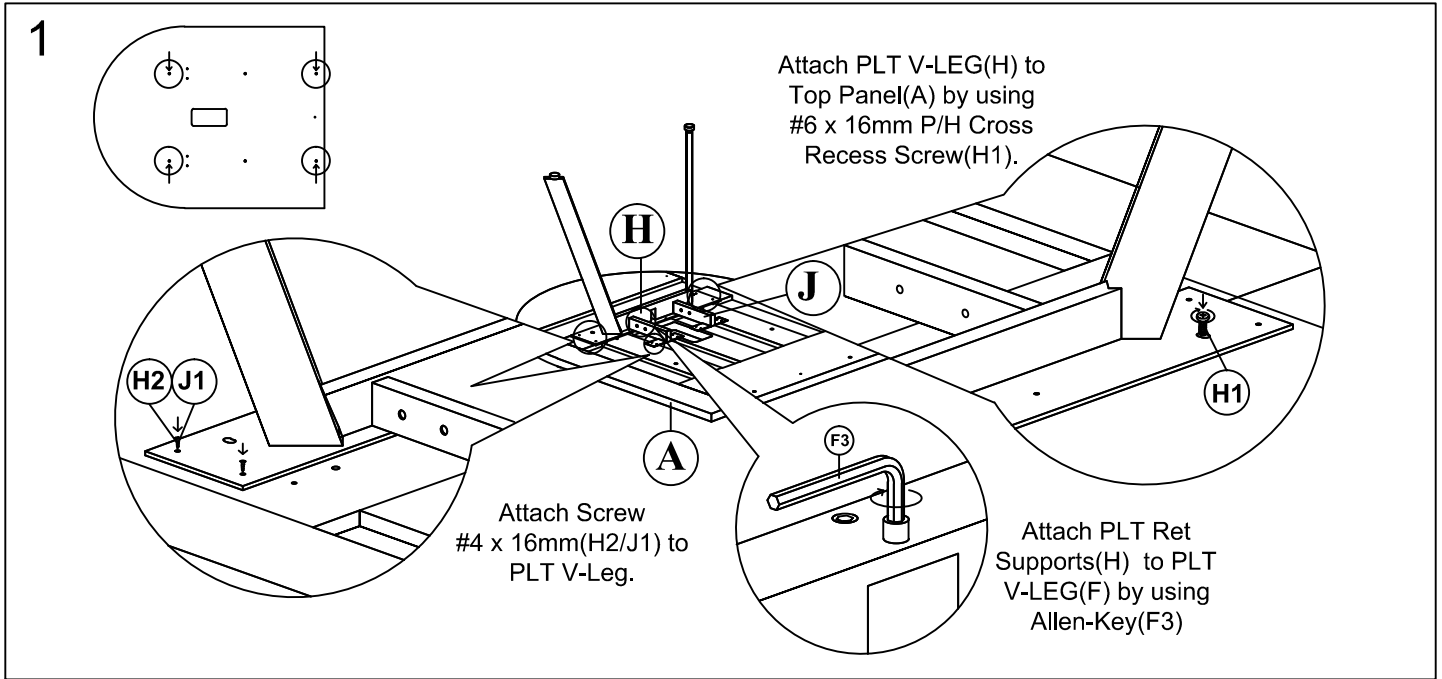
<p><b>3</b></p>  <p>Attach Cube Base Support (G) by using Cam Lock (G1) and Klix Cam (G2).</p>	<p><b>4</b></p> <p>Attach the Flat-Bracket (A5) to two Top Panel (A) as shown. Tighten Screws (A6) securely.</p>  <p>Join the two Top Panels (A) by using KD Fitting (A1) and Klix Cam (A2). Attach the Fitting-GL Screw (A7) to two Top Panel (A) as shown by using Wrench (A8).</p>
--	--

**5** Attach Top Panel (A) to Cube Base (G) by using JCBC Screw (G4) and tighten with Allen Key (G6).



# ASSEMBLY INSTRUCTION FOR 12' RACE TRACK/BOAT SHAPE CONFERENCE TABLE

## ASSEMBLING TABLE WITH V-LEG BASE



## ASSEMBLING TABLE WITH V-LEG BASE + SQUARE POST LEG

