





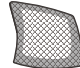






# MODEL: 3129-A1

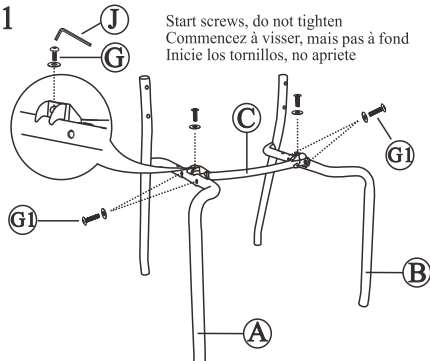
## ASSEMBLY INSTRUCTIONS

THANK YOU FOR PURCHASING THIS DESIGNER GUEST CHAIR FROM PERFORMANCE OFFICE FURNISHINGS.

BEFORE ASSEMBLY, PLEASE REMOVE ALL PARTS FROM THE CARTON AND VERIFY THAT YOU HAVE CORRECT QUANTITIES.

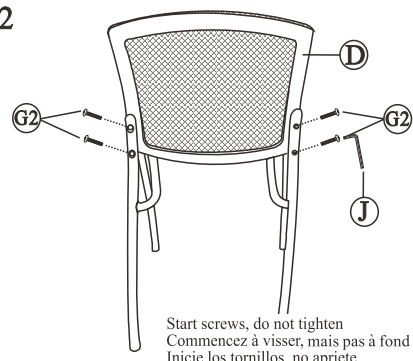
A		L	1	G		M6x16mm	2
B		R	1	G1		M6x30mm	4
C			1	G2		M6x35mm	6
D			1	I			4
E			1	J		5#	1
F			2				

**1**



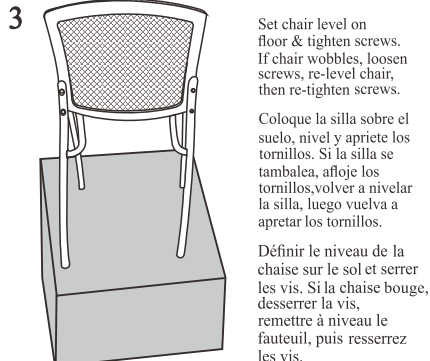
Start screws, do not tighten  
Commencez à visser, mais pas à fond  
Inicie los tornillos, no apriete

**2**



Start screws, do not tighten  
Commencez à visser, mais pas à fond  
Inicie los tornillos, no apriete

**3**

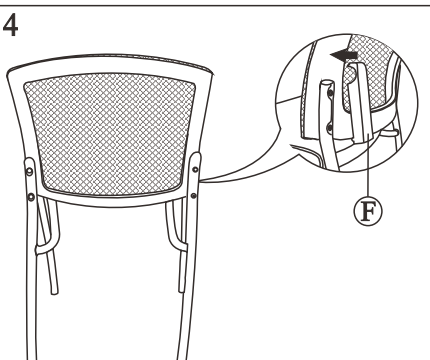


Set chair level on floor & tighten screws. If chair wobbles, loosen screws, re-level chair, then re-tighten screws.

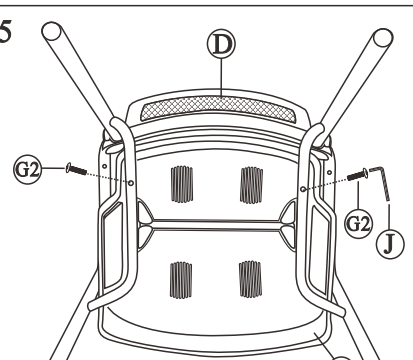
Coloque la silla sobre el suelo, nivel y apriete los tornillos. Si la silla se tambalea, afloje los tornillos, volver a nivelar la silla, luego vuelva a apretar los tornillos.

Définir le niveau de la chaise sur le sol et serrer les vis. Si la chaise bouge, desserrer à vis, remettre à niveau le fauteuil, puis resserrez les vis.

**4**

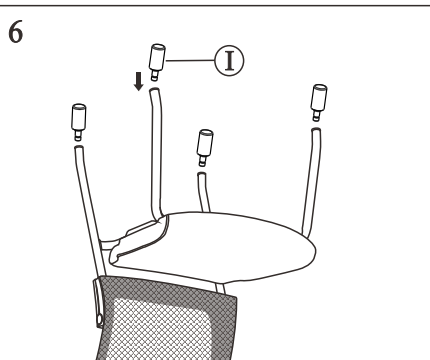


**5**



Start all two screws, then tighten  
Commencez le vissage des 2 vis, puis serrer  
Iniciar los cuatro tornillos, luego apriete

**6**



### PREVENTIVE MAINTENANCE AND WARNING

- USE THIS PRODUCT ONLY FOR SEATING ONE PERSON AT A TIME
- DO NOT USE CHAIR AS STEP STOOL/LADDER.
- DO NOT USE CHAIR UNLESS ALL BOLTS, SCREWS ARE TIGHTENED. AT LEAST EVERY THREE MONTHS, CHECK ALL BOLTS, SCREWS TO BE SURE THEY ARE TIGHTENED.
- IF ANY PARTS ARE MISSING, BROKEN, DAMAGED OR WORN, STOP USE OF THE PRODUCT UNTIL REPAIRS ARE MADE USING FACTORY A AUTHORIZED PARTS.
- FAILURE TO FOLLOW THESE WARNINGS CAN RESULT IN SERIOUS INJURY.