

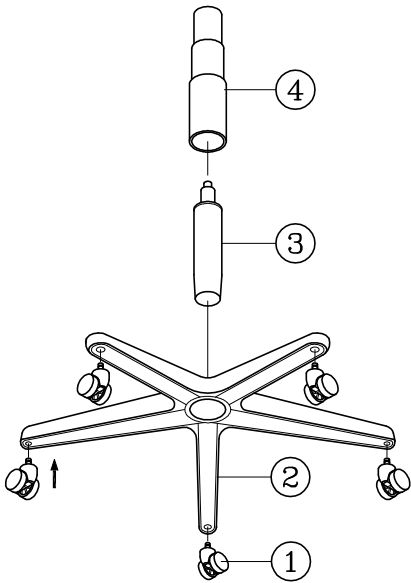
# ASSEMBLY INSTRUCTIONS

Remove all items from the carton. Verify all pieces before assembly.

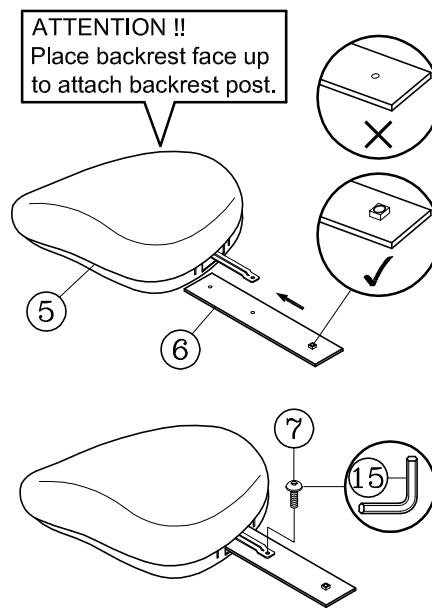
## PARTS LIST

KEY	QTY	DESCRIPTION	KEY	QTY	DESCRIPTION	KEY	QTY	DESCRIPTION
1	5	Caster	7	1	Backrest Screw	12	2	Armrest
2	1	Base	8	1	Seat	13	2	Arm Width Adjustment Knob + Washers
3	1	Seat Post	9	1	Mechanism	14	1	Back Tight Bolt
4	1	Seat Post Cover	10	6	Machanism Screw	15	1	M5 Size Allen Wrench
5	1	Backrest	11	2	Arm Bracket (Pre-assembled)	16	1	M6 Size Allen Wrench
6	1	Backrest Post						

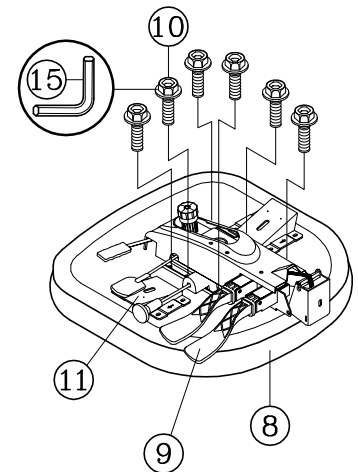
### STEP 1.



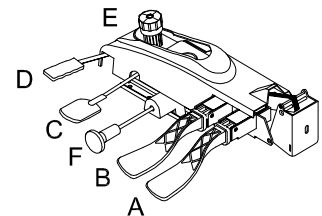
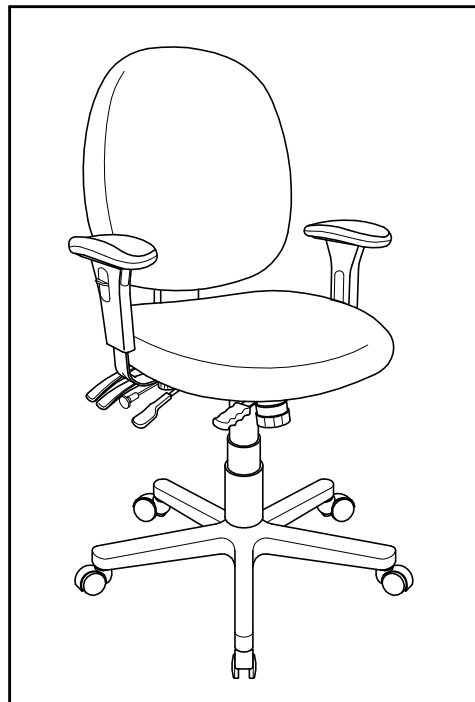
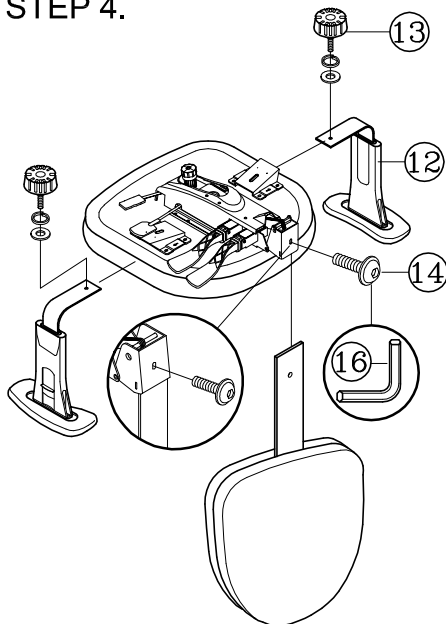
### STEP 2.



### STEP 3.



### STEP 4.



- (A) Back angle adjustment lever.
- (B) Combination seat / back angle adjustment lever with infinite lock.
- (C) Seat height adjustment lever.
- (D) Forward tilt lever
  - \*While seated, lift lever B and then leanback to activate locking mechanism;
  - \*Pull lever D backward to allow seat to tilt forward-or-push lever D forward to straighten seat;
  - \*To lock in desired position, push lever B downward.
- (E) Tension control knob-Turn colockwise to Increase tension and counter-clockwise to decrease tension.
- (F) Sliding seat:
  - It provides seat depth adjustment for different user leg lengths.

### PREVENTIVE MAINTENANCE AND WARNING!

- USE THIS PRODUCT ONLY FOR SEATING ONE PERSON AT A TIME.
- DO NOT USE THIS CHAIR AS A STEP STOOL / LADDER.
- DO NOT SIT ON ANY PART OF THE CHAIR EXCEPT THE SEAT.
- DO NOT USE CHAIR ON UNEVEN FLOOR SURFACES.
- DO NOT USE CHAIR UNLESS ALL BOLTS, SCREWS AND KNOBS ARE TIGHTENED.
- **EVERY SIX MONTHS, PLEASE MAKE SURE ALL BOLTS, SCREWS AND KNOBS ARE FULLY TIGHTENED TO ENSURE STABILITY.**
- IF ANY PARTS ARE MISSING, BROKEN, DAMAGED OR WORN, STOP USE OF THE PRODUCT UNTIL REPAIRS ARE MADE USING FACTORY AUTHORIZED PARTS.
- DISPOSE OF PACKAGING PROPERLY. PLASTIC BAG IS NOT A TOY. DO NOT USE PLASTIC BAG AS HEAD COVERING - IT MAY CAUSE SUFFOCATION.
- FAILURE TO FOLLOW THESE WARNINGS COULD RESULT IN SERIOUS INJURY.
- NOTE:SOME SCREWS MAY BE PREASSEMBLED. IF PREASSEMBLED, IGNORE ASSEMBLY INSTRUCTIONS.

4458AS