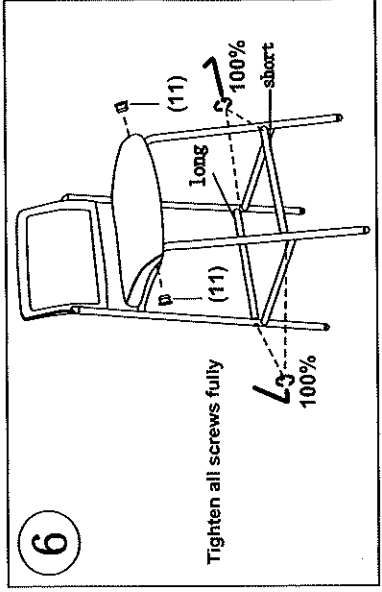
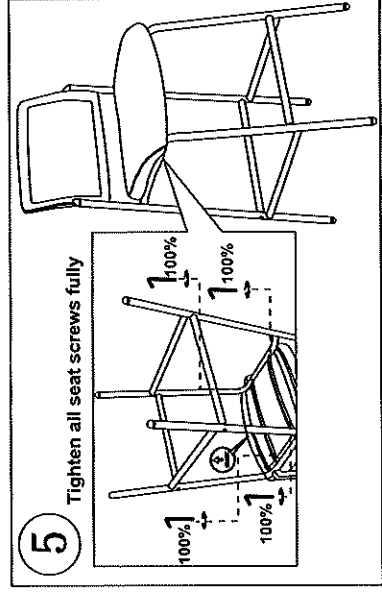
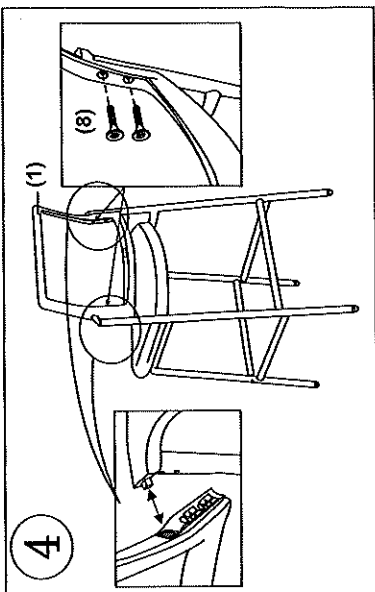
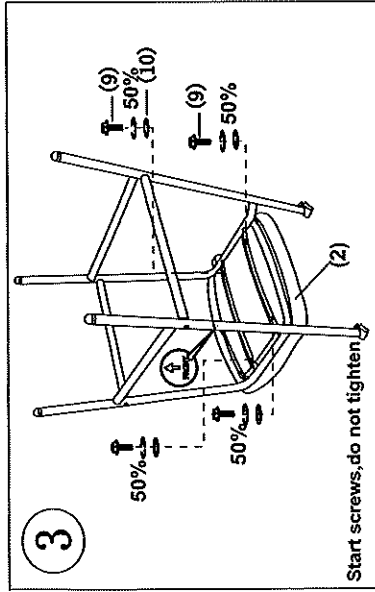
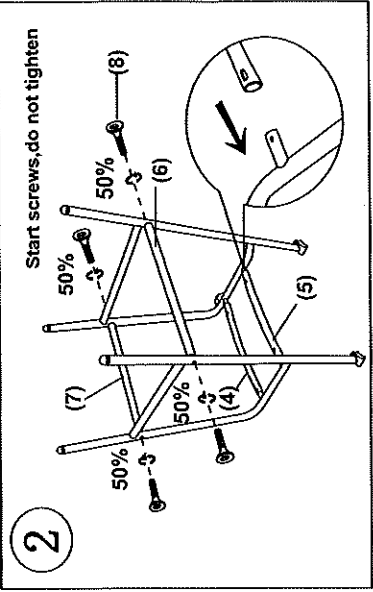
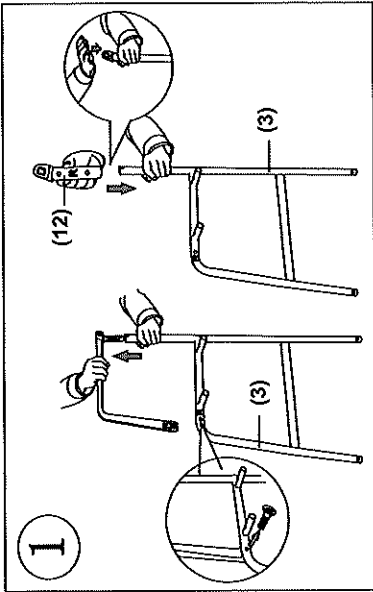


ASSEMBLY INSTRUCTIONS DAISY STOOL CHAIR ARMLESS (88751/88754)



Before assembly, please remove all parts from the carton, verifying that you have the correct quantities, and read all the instructions.

(1)x1		(7)x1 short	
(2)x1		(8)x8	M6X35mm
(3)x1Lx1R		(9)x4	M6X35mm
(4)x1 long		(10)x4	
(5)x1 short		(11)x4	Select 2 caps, based on frame color
(6)x1 long		(12)x1Lx1R	
		(13)x1	



ATTENTION

This chair is only meant to seat one person at a time. Do not use chair as a step stool/ladder. Ensure all bolts and screws are tightened before sitting on stool, check bolts and screws every 6 months. If any parts are missing, broken, damaged or worn, stop use of product until repairs have been made using factory authorized parts. Failure to follow these warnings may result in injury.