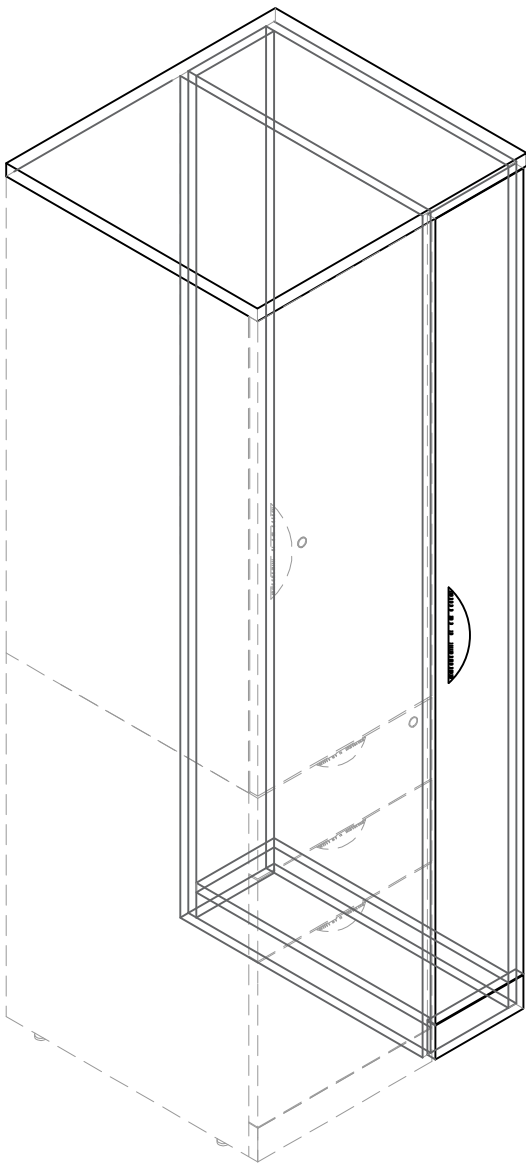
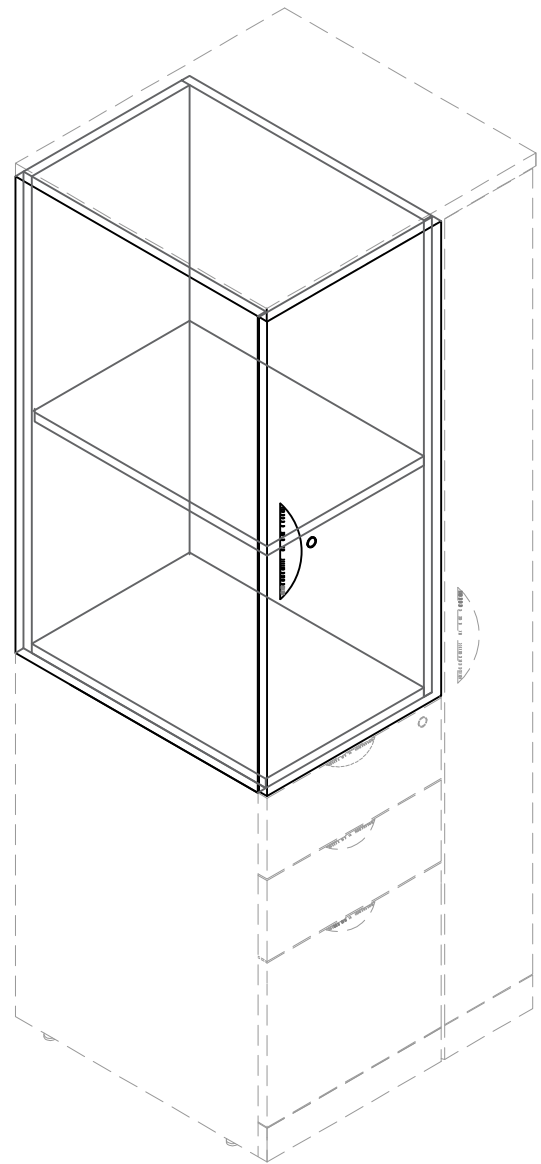


Before assembly, please remove all parts from carton, verifying that you have the correct quantities, and read all the instructions.

**IN THE CARTON:**



PL286



PL287

# ASSEMBLY INSTRUCTIONS MODEL: PL287, PL286

## COMPONENTS:

FOR PL287

<b>A</b> 	<b>B</b> 	<b>C</b> 	<b>D</b> 	<b>E</b> 
BACK PANEL(S)	SIDE PANEL(S)x2	BOTTOM PANEL(S)	DOOR PANEL	ADJ. SHELF

FOR PL286

<b>A</b> 	<b>B</b> 	<b>D</b> 	<b>E</b> 	<b>F</b> 	<b>x</b> 	<b>Y</b> 
BOTTOM PANEL(B)	BACK PANEL(B)	TOP PANEL	DOOR PANEL #1	BOTTOM RAIL #1	SIDE PANEL	SIDE PANEL(B)

## HARDWARE:

FOR PL287

<b>1</b>  CAM SHORT LOCK 8 Pcs	<b>2</b>  KLIx CAM 10 Pcs	<b>3</b>  HOUSING CAP (SHORT) 6 Pcs	<b>4</b>  DRAWER LOCK 1 Pcs	<b>5</b>  DOOR LOCK LATCH 0.7 X 33MM 1 Pcs	<b>6</b>  METAL SCALLOP SHAPE HANDLE 1 Pcs	<b>7</b>  METAL HANDLE 1 Pcs FOR SLB COLOR	<b>7</b>  DOOR HINGES 2 Pcs
<b>8</b>  SCREW #3.5 X 18MM 4 Pcs	<b>9</b>  SCREW #3.5 X 12MM 2 Pcs	<b>10</b>  M4 ALLEN-KEY 1 Pcs	<b>11</b>  SHELF SUPPORT PIN SMALL 4 Pcs	<b>12</b>  CAM LONG LOCK 2 Pcs	<b>13</b>  D-NUT CAP 6 Pcs	<b>14</b>  HOLE PLUG 15MM 6 Pcs	<b>15</b>  HOLE PLUG 8MM 6 Pcs
<b>16</b>  WOOD DOWEL #M8 X 30MM 2PCS							

FOR PL286

<b>1</b>  CAM SHORT LOCK 11 Pcs	<b>2</b>  KLIx CAM 15 Pcs	<b>3</b>  HOUSING CAP (SHORT) 15 Pcs	<b>4</b>  ADJUSTABLE GLIDE 2 Pcs	<b>5</b>  V-BRACKET 2 Pcs	<b>6</b>  SCREW #3.5 X 12MM 4 Pcs	<b>7</b>  HANGING ROD 1 Pcs	<b>8</b>  DOOR HINGES 3 Pcs
<b>9</b>  METAL SCALLOP SHAPE HANDLE 1 Pcs	<b>9</b>  METAL HANDLE 1 Pcs FOR SLB COLOR	<b>10</b>  SCREW #3.5 X 16MM 18 Pcs	<b>11</b>  M4 ALLEN-KEY 1 Pcs	<b>12</b>  CAM LONG LOCK 4 Pcs	<b>13</b>  FLAT BRACKET #1.5 X 35 X 75MM 3 Pcs	<b>14</b>  D-NUT CAP 4 Pcs	<b>15</b>  HOLE PLUG 8MM 4 Pcs
<b>16</b>  HOLE PLUG 15MM 4 Pcs	<b>17</b>  CONNECTOR SCREW #M6 X 25MM 4 Pcs	<b>18</b>  CONNECTOR NUT #M6 X 18 4PCS	<b>19</b>  WOOD DOWEL #M8 X 30MM 4PCS				

### ⚠ ATTENTION ⚠

Place all wooden parts on a clean, smooth surface to prevent them from being scratched.

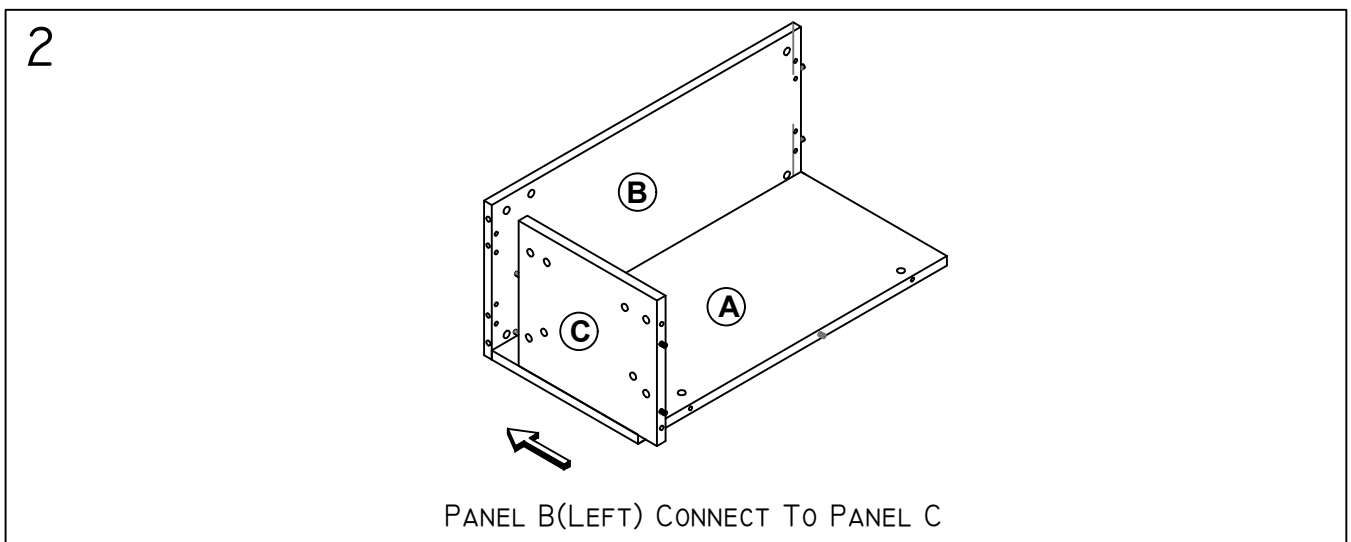
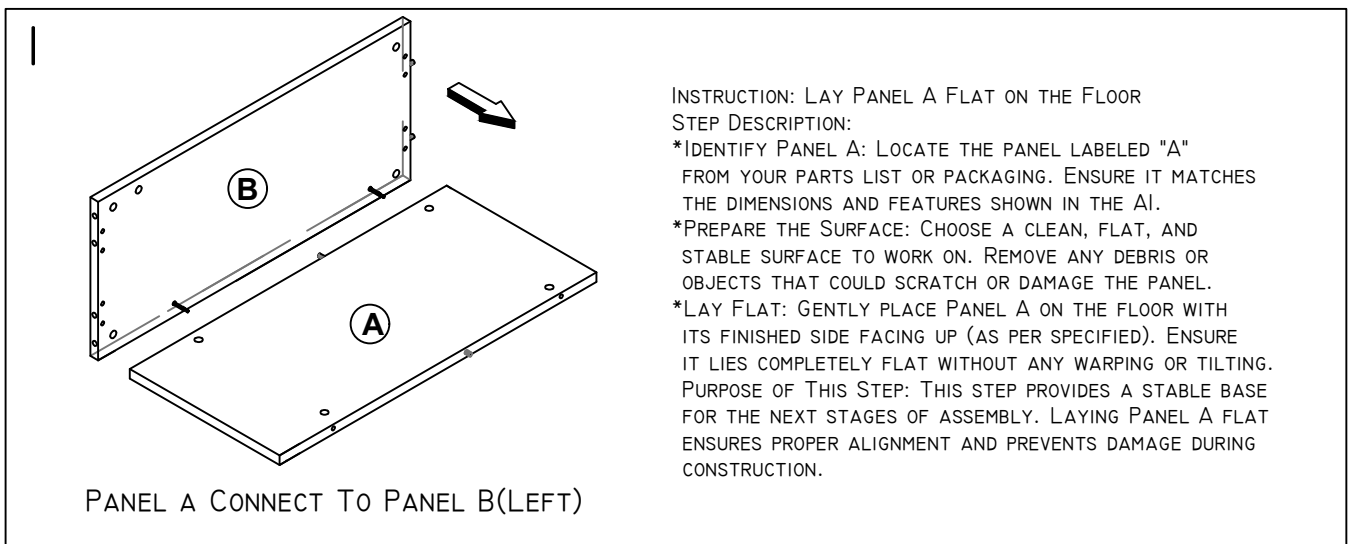
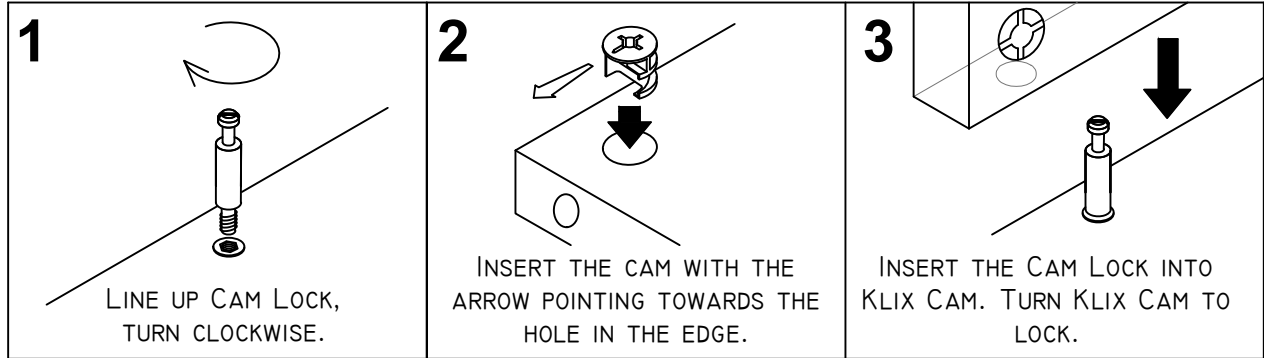
Check to be sure that you have all parts and hardware. Remove all wrapping materials, including staples and packing straps before you start to assemble. Do not tighten all screws/bolts until all completely assembled. Keep all hardware parts out of reach of children. If any parts are missing, broken, damaged or worn, stop use of product until repairs have been made using factory authorized parts. Failure to follow these warnings may result in injury.

**INSTRUCTION: ASSEMBLING PL287**

IT IS RECOMMEND TO USE A SCREWDRIVER AND NOT POWER TOOL

FOR SAFETY AND EASE OF ASSEMBLY, IT IS RECOMMENDED THAT THIS INSTALLATION SHOULD BE CARRIED OUT BY 2 PEOPLE.

KLIX CAM INSTRUCTIONS

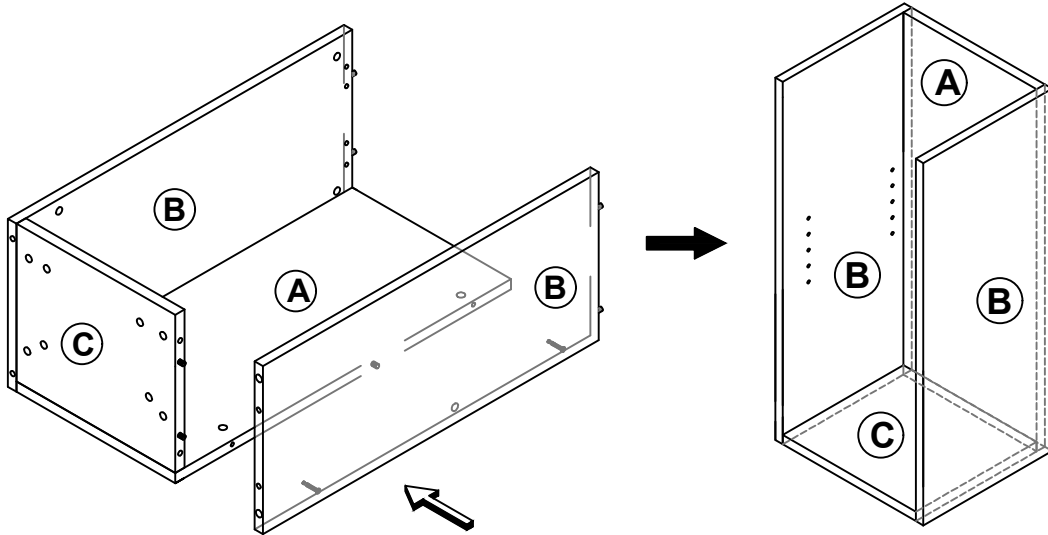


**INSTRUCTION:** ASSEMBLING PL287

IT IS RECOMMEND TO USE A SCREWDRIVER AND NOT POWER TOOL

FOR SAFETY AND EASE OF ASSEMBLY, IT IS RECOMMENDED THAT THIS INSTALLATION SHOULD BE CARRIED OUT BY 2 PEOPLE.

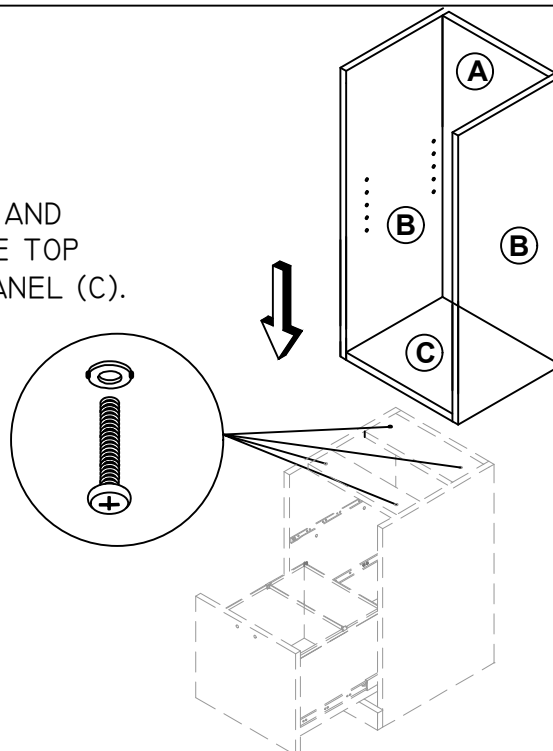
3



PANEL B(RIGHT) CONNECT TO C + PANEL A

4

USING BOLT M6 X 40MM AND  
METAL WASHERS ON THE TOP  
RAIL OF THE BOTTOM PANEL (C).



REMARKS : ALWAYS USE 2 PEOPLE TO LIFT THE UNIT  
FROM ITS BACK TO AVIOD INJURY OR DAMAGE.

**INSTRUCTION: ASSEMBLING PL287**

**IT IS RECOMMEND TO USE A SCREWDRIVER AND NOT POWER TOOL**

FOR SAFETY AND EASE OF ASSEMBLY, IT IS RECOMMENDED THAT THIS INSTALLATION SHOULD BE CARRIED OUT BY 2 PEOPLE.

**5**

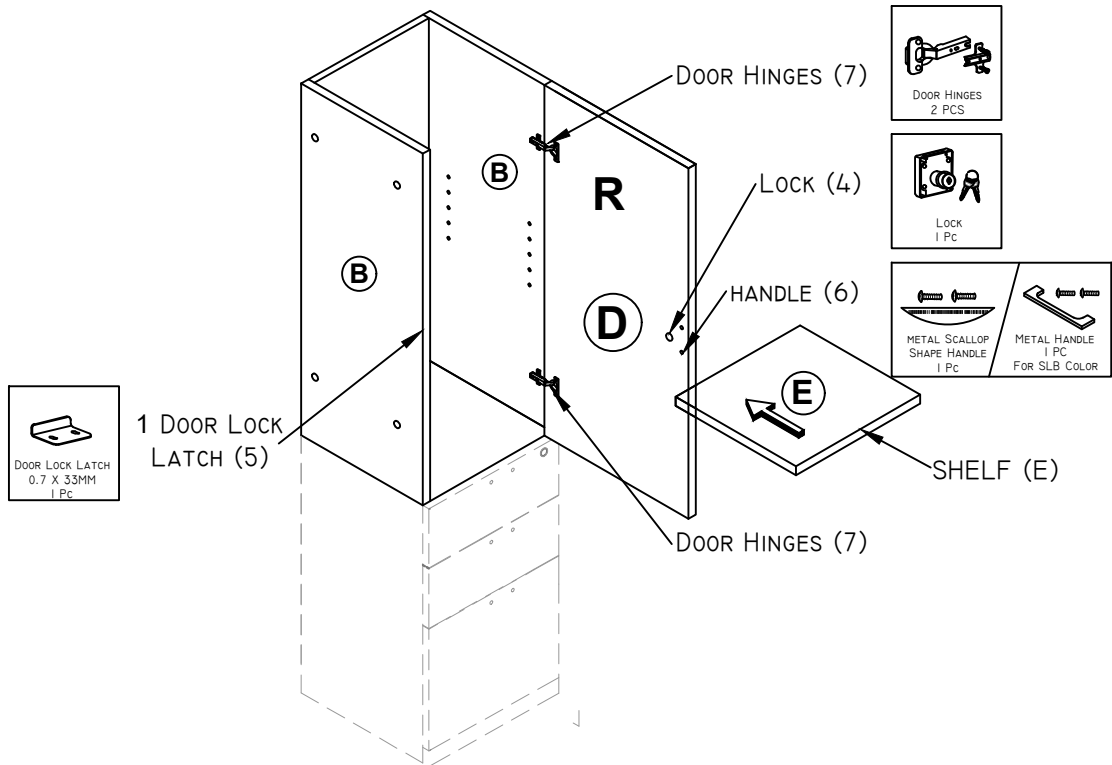
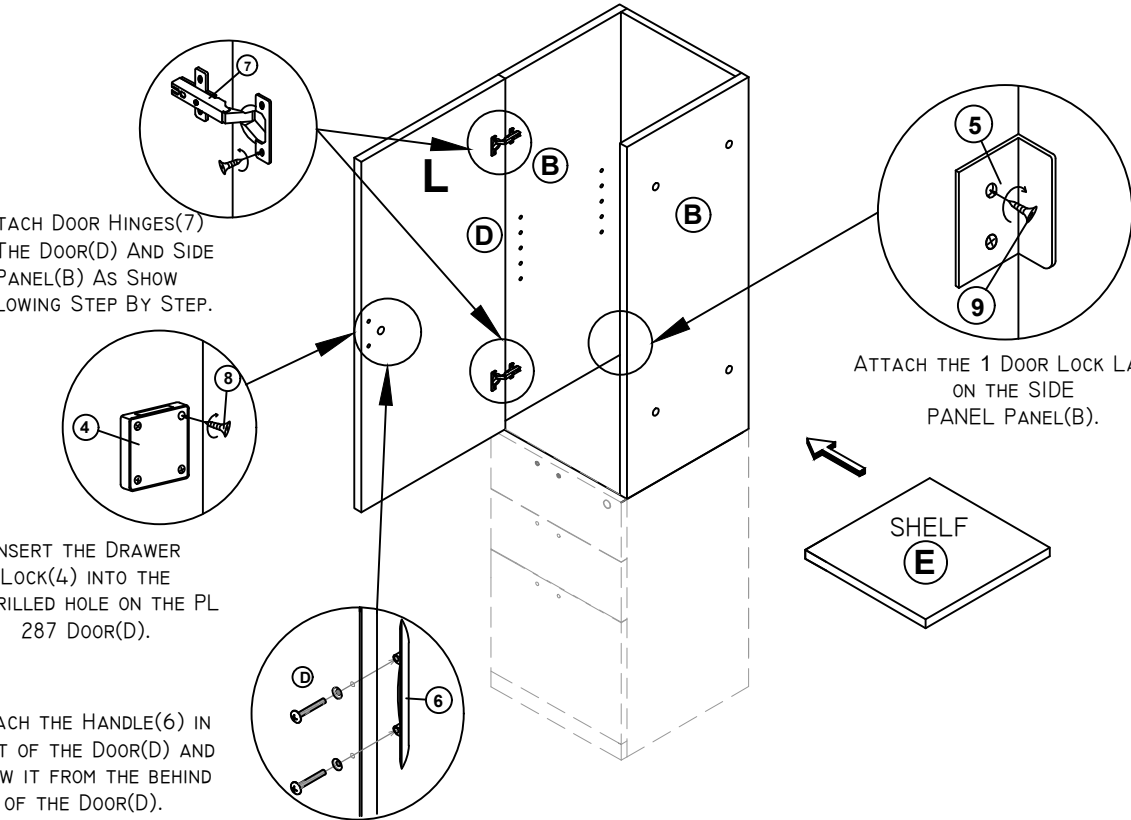
OPTIONAL : DOOR CAN BE LEFT OR RIGHT!

ATTACH DOOR HINGES(7)  
 TO THE DOOR(D) AND SIDE  
 PANEL(B) AS SHOW  
 FOLLOWING STEP BY STEP.

INSERT THE DRAWER  
 LOCK(4) INTO THE  
 PREDRILLED HOLE ON THE PL  
 287 DOOR(D).

ATTACH THE HANDLE(6) IN  
 FRONT OF THE DOOR(D) AND  
 SCREW IT FROM THE BEHIND  
 OF THE DOOR(D).

ATTACH THE 1 DOOR LOCK LATCH  
 ON THE SIDE  
 PANEL PANEL(B).



**INSTRUCTION:** ASSEMBLING PL286 WITH PL287 TO COMPLETE THE UNIT  
 IT IS RECOMMEND TO USE A SCREWDRIVER AND NOT POWER TOOL  
 FOR SAFETY AND EASE OF ASSEMBLY, IT IS RECOMMENDED THAT THIS INSTALLATION SHOULD BE CARRIED OUT BY 2 PEOPLE.

**6**

ATTACH THE V-BRACKET(5) ON THE SIDE PANEL(X) RIGHT/LEFT.

ATTACH THE HINGES(11) WITH SCREW ON THE SIDE PANEL (Y/X)RIGHT/LEFT.  
 \*MAKE SURE PANEL "Y" IS ALWAYS ON THE SIDE THAT WILL ATTACH TO THE PL287/PL166 UNIT.

**7**

PANEL Y(LEFT) CONNECT TO PANEL B

**8**

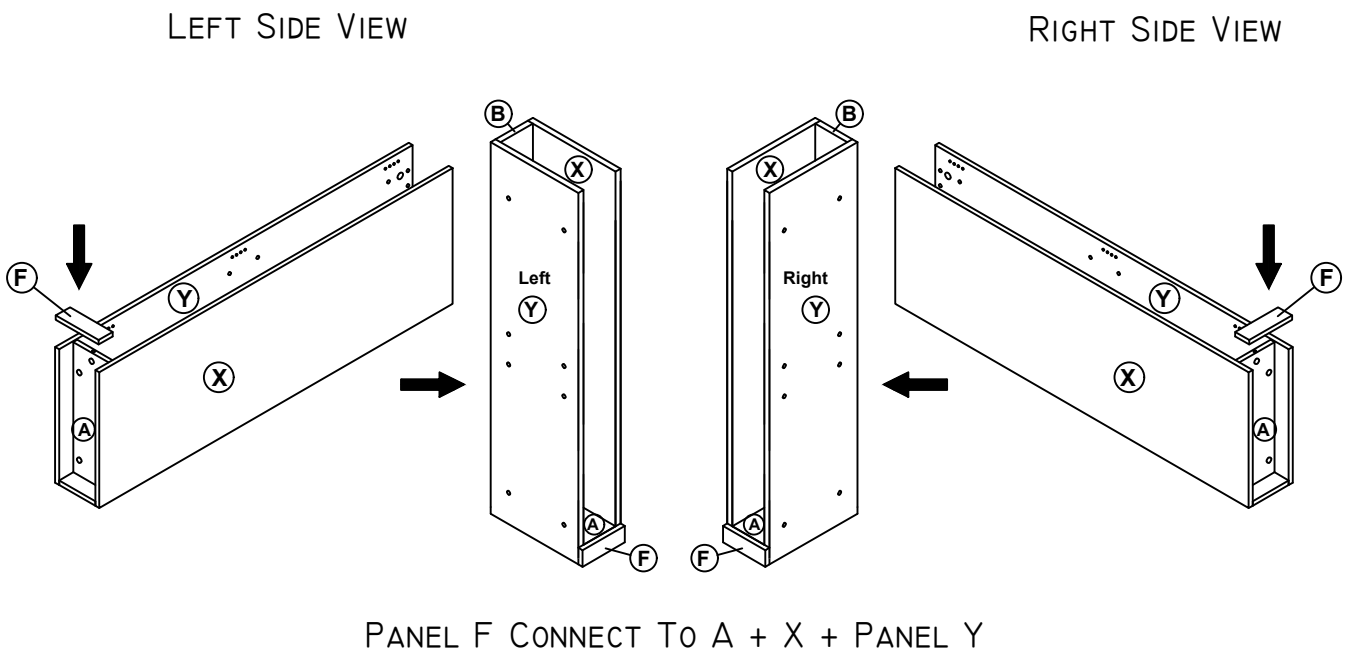
PANEL Y(LEFT) CONNECT TO PANEL A

**9**

PANEL X(RIGHT) CONNECT TO A + PANEL B

**INSTRUCTION:** ASSEMBLING PL286 WITH PL287 TO COMPLETE THE UNIT  
IT IS RECOMMEND TO USE A SCREWDRIVER AND NOT POWER TOOL  
FOR SAFETY AND EASE OF ASSEMBLY, IT IS RECOMMENDED THAT THIS INSTALLATION SHOULD BE CARRIED OUT BY 2 PEOPLE.

10



**SIDE PANEL INSTALLATION INSTRUCTIONS :**

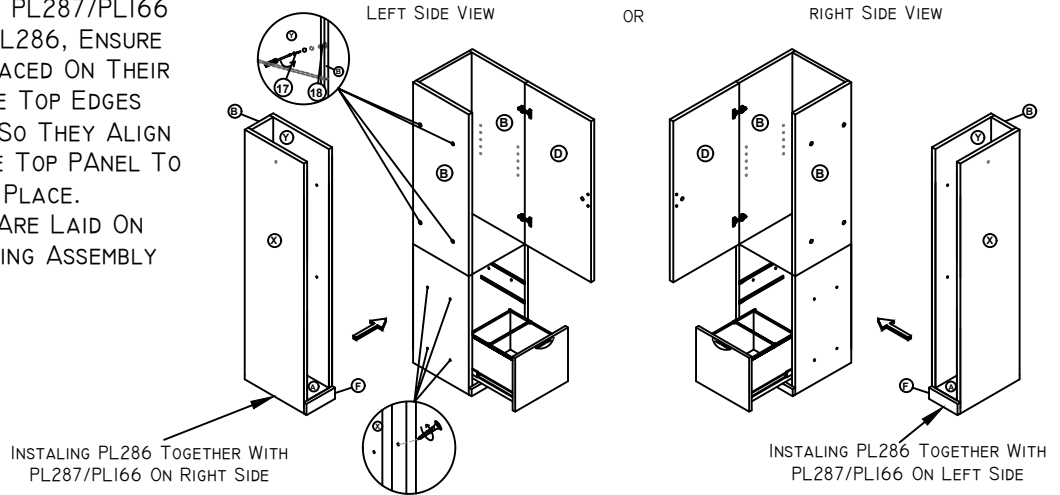
TO ENSURE PROPER ALIGNMENT AND SECURE ASSEMBLY OF THE UNIT, PLEASE FOLLOW THESE GUIDELINES WHEN INSTALLING THE SIDE PANELS:

**IMPORTANT NOTES:**

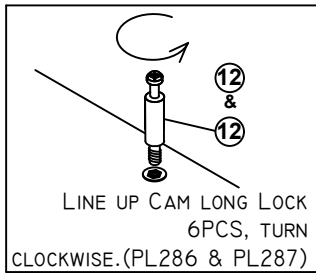
\*ENSURE ALL PANELS ARE FLUSH AT THE TOP AND PROPERLY SECURED TO AVOID MISALIGNMENT OR GAPS.

**INSTRUCTION:** ASSEMBLING PL286 WITH PL287 TO COMPLETE THE UNIT  
IT IS RECOMMEND TO USE A SCREWDRIVER AND NOT POWER TOOL  
FOR SAFETY AND EASE OF ASSEMBLY, IT IS RECOMMENDED THAT THIS INSTALLATION SHOULD BE CARRIED OUT BY 2 PEOPLE.

**11** \*WHEN INSTALLING PL287/PLI66 TOGETHER WITH PL286, ENSURE THE UNITS ARE PLACED ON THEIR BACKS WITH THE TOP EDGES PERFECTLY FLUSH SO THEY ALIGN PROPERLY WITH THE TOP PANEL TO SECURE IN PLACE.  
\*ENSURE UNITS ARE LAID ON THEIR BACKS DURING ASSEMBLY

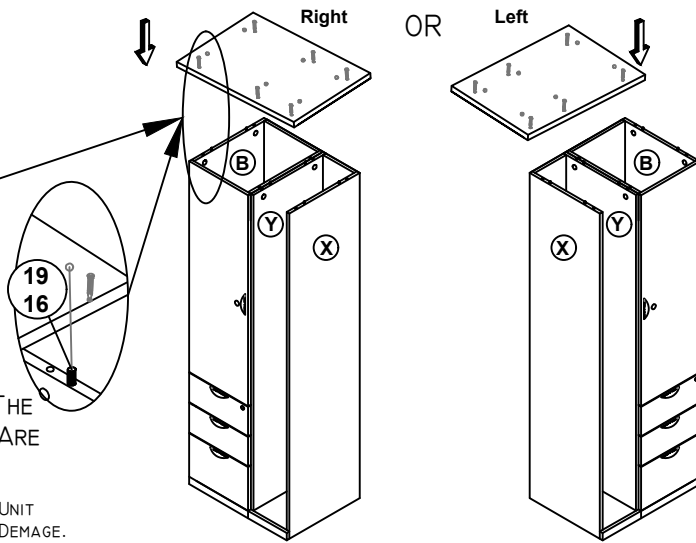


**12**  
CAM LOCK INSTRUCTIONS  
ONLY FOR TOP PANEL

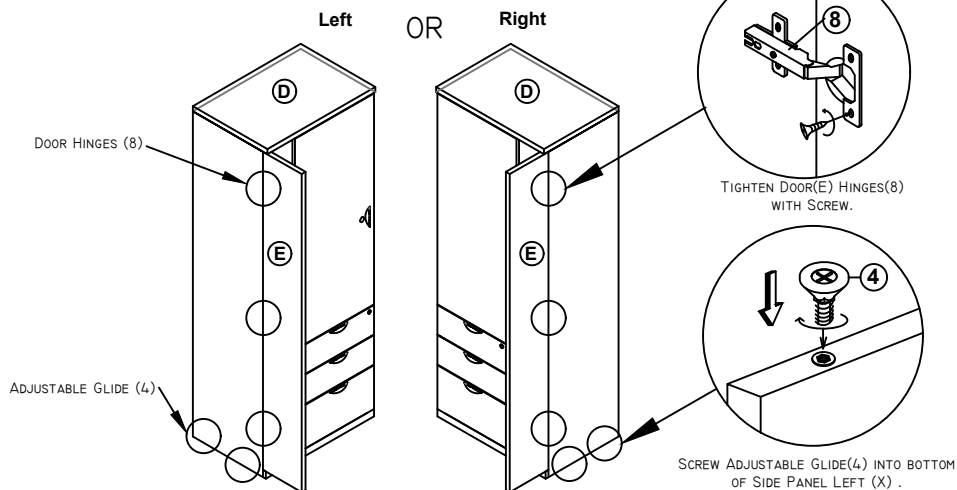


\*WHEN SECURING THE TOP TO THE UNITS, VERIFY THAT ALL UNITS ARE ALIGNED AND FLUSH

REMARKS : ALWAYS USE 2 PEOPLE TO LIFT THE UNIT FROM ITS BACK TO AVOID INJURY OR DAMAGE.

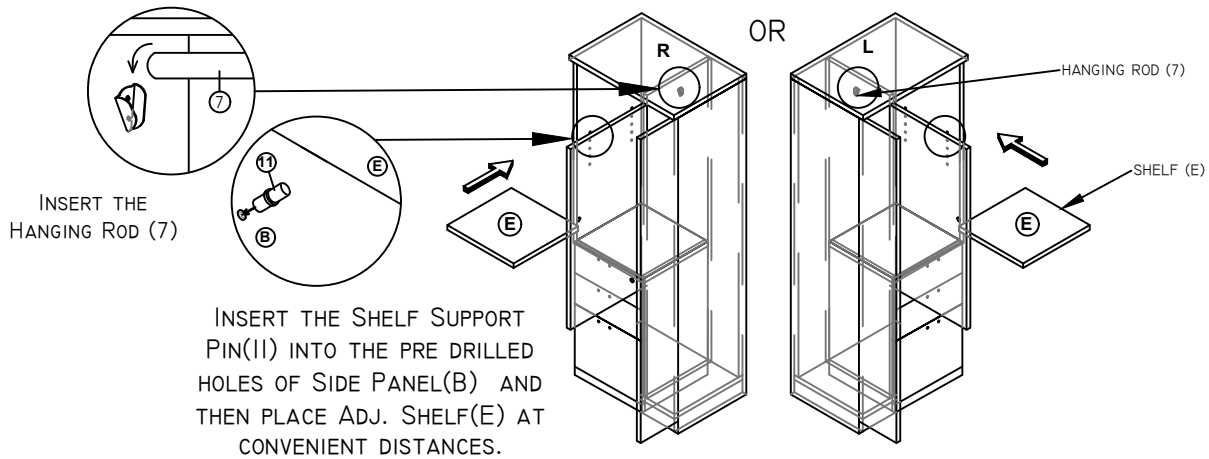


**13**

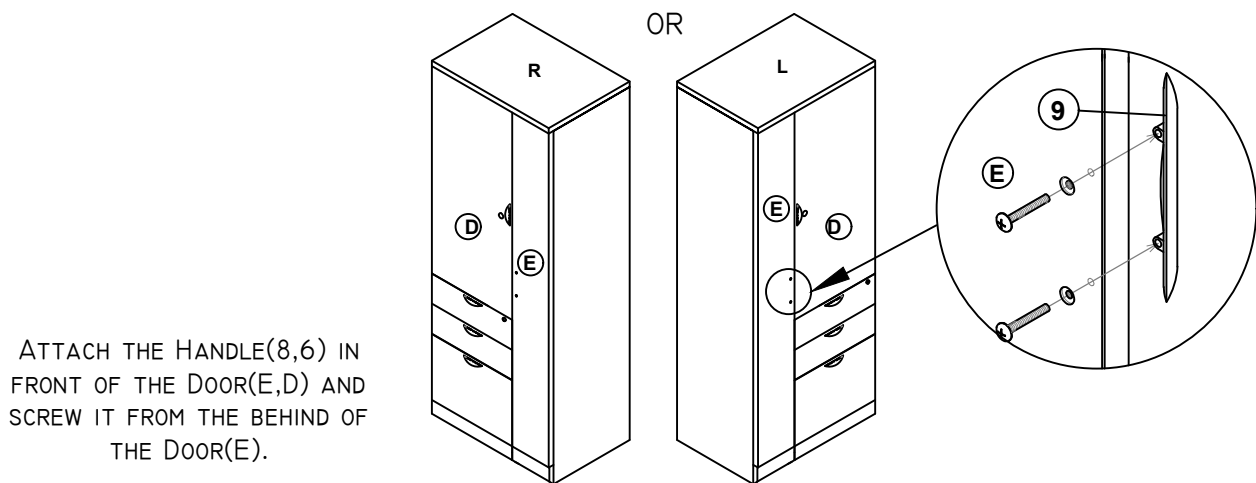


**INSTRUCTION:** ASSEMBLING PL286 WITH PL287 TO COMPLETE THE UNIT  
 IT IS RECOMMEND TO USE A SCREWDRIVER AND NOT POWER TOOL  
 FOR SAFETY AND EASE OF ASSEMBLY, IT IS RECOMMENDED THAT THIS INSTALLATION SHOULD BE CARRIED OUT BY 2 PEOPLE.

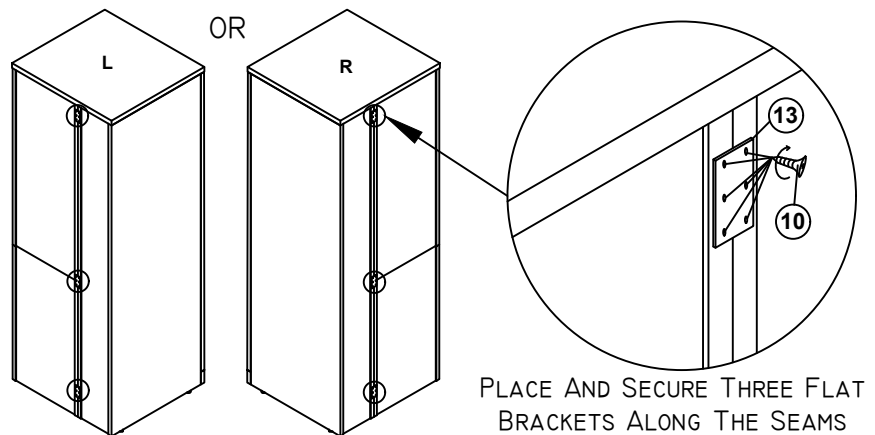
14



15

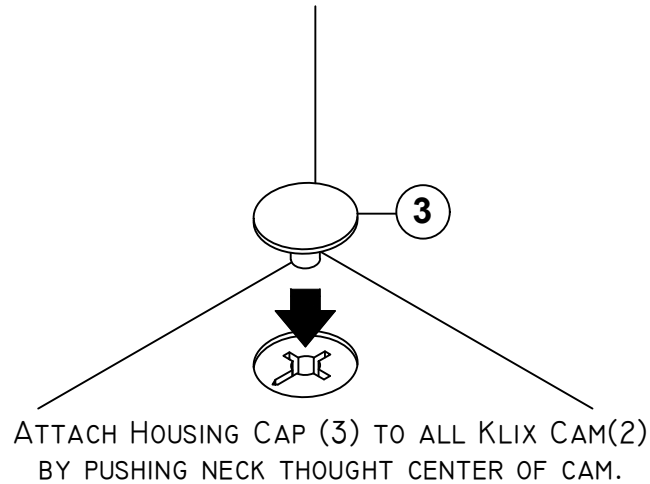


16

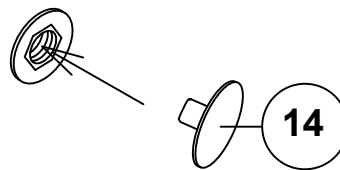


**INSTRUCTION:** ASSEMBLING PL286 WITH PL287 TO COMPLETE THE UNIT  
IT IS RECOMMEND TO USE A SCREWDRIVER AND NOT POWER TOOL  
FOR SAFETY AND EASE OF ASSEMBLY, IT IS RECOMMENDED THAT THIS INSTALLATION SHOULD BE CARRIED OUT BY 2 PEOPLE.

17



18



19

