

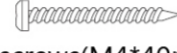
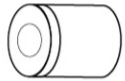







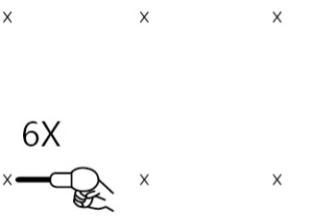
ASSEMBLY INSTRUCTIONS GBM1769WHITE-A1

Glass board Installation instructions for wall

Thank you for purchasing the Magnetic Glass Board from Performance Office Furnishings.
Before assembly, please remove all parts from the carton and verify that you have correct quantities.

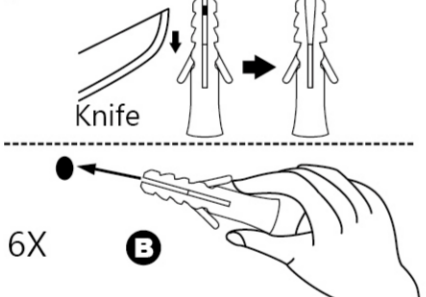
A  X 1	B  X 6 drywall anchor(30mm) <small>(extra 2pcs as spare)</small>	C  X 6 screws(M4*40mm)
D  X 6 spacer base(φ 18*h23mm)	E  X 6 screws(5/16"*30mm)	F  X12 plastic washer(φ 16mm)
G  X 6 plastic sleeve(φ 10mm)	H  X 6 spacer bolt(φ 18*h10mm)	I  X 1 pen tray(450mm)

1 ATTENTION:
Drill size 15/64" (6mm)



6X

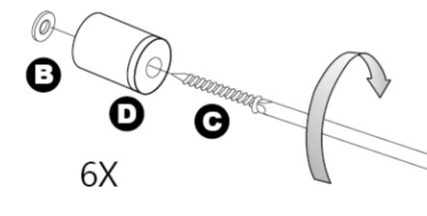
2 Cut tabs on anchors before insert



Knife

6X **B**

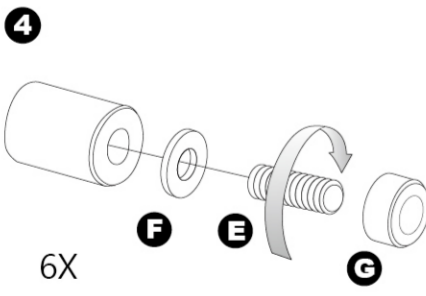
3



B **D** **C**

6X

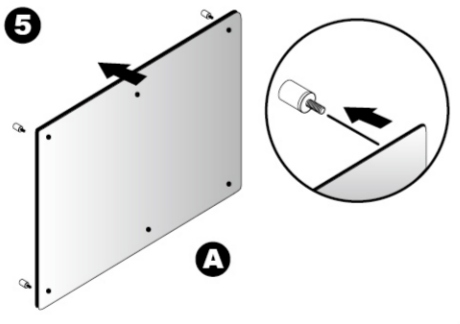
4



F **E** **G**

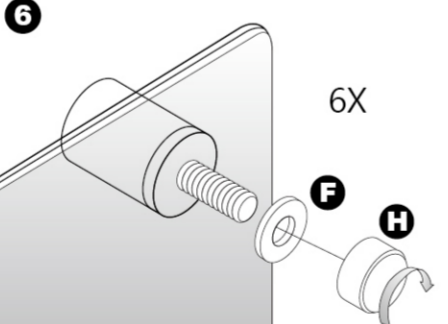
6X

5



A

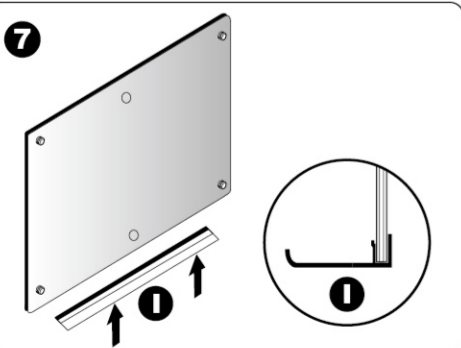
6




F **H**

6X

7



I



magnets


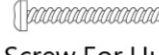
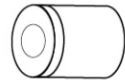





X4

(φ 30mm) *Size tolerance is +/-2MM

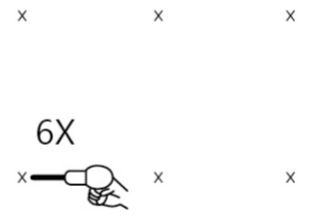
ASSEMBLY INSTRUCTIONS GBM1769WHITE-A1

Glass board Installation instructions for hutch

Thank you for purchasing the Magnetic Glass Board from Performance Office Furnishings.
Before assembly, please remove all parts from the carton and verify that you have correct quantities.

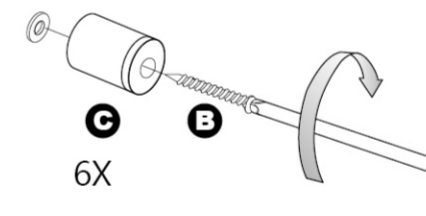
A  X 1	B  X6 Screw For Hutch screws(M4*24.5mm)	C  X 6 spacer base(φ 18*h23mm)
D  X 6 screws(5/16"*30mm)	E  X12 plastic washer(φ 16mm)	F  X 6 plastic sleeve(φ 10mm)
G  X 6 spacer bolt(φ 18*h10mm)	H  X 1 pen tray(450mm)	

1



6X

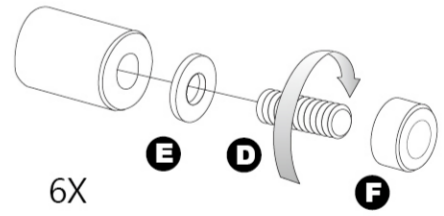
2



C **B**

6X

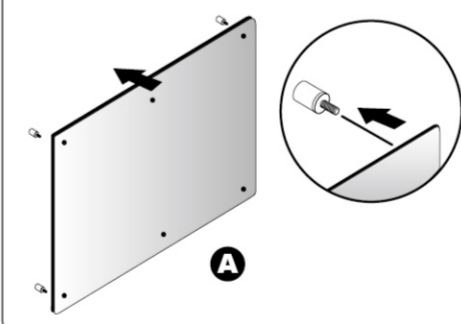
3



E **D** **F**

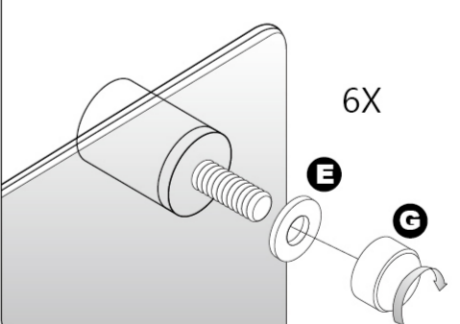
6X

4



A

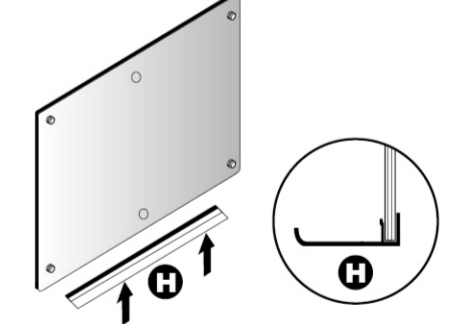
5




E **G**

6X

6



H



magnets

X4

(φ 30mm) *Size tolerance is +/-2MM