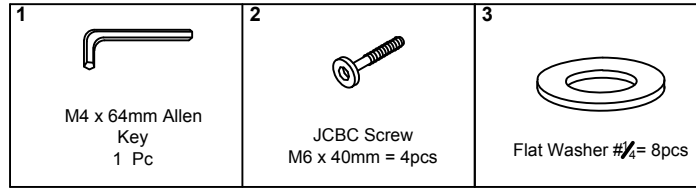
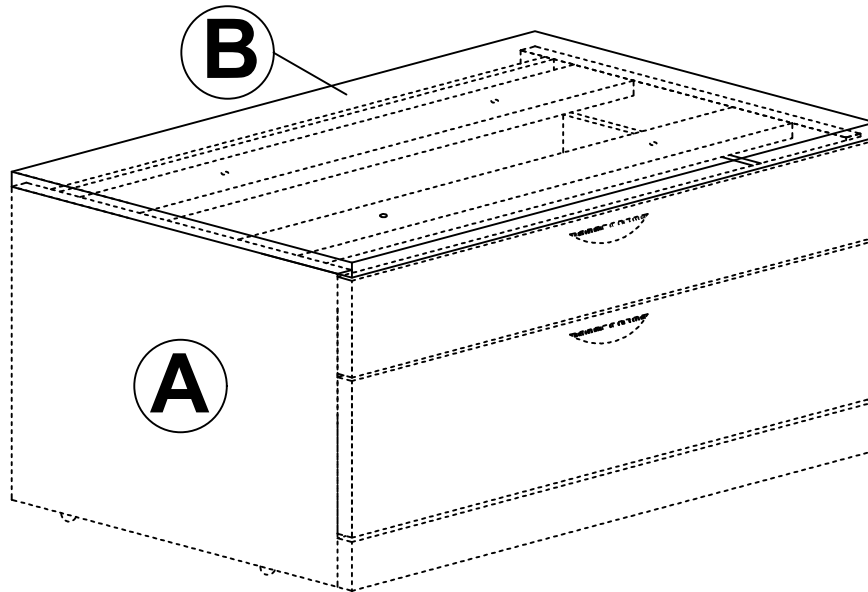
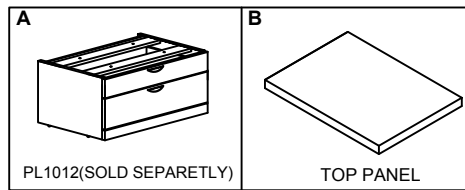


Thank you for purchasing the Performance Top Built Up.  
Please follow these instructions for easy assembly.



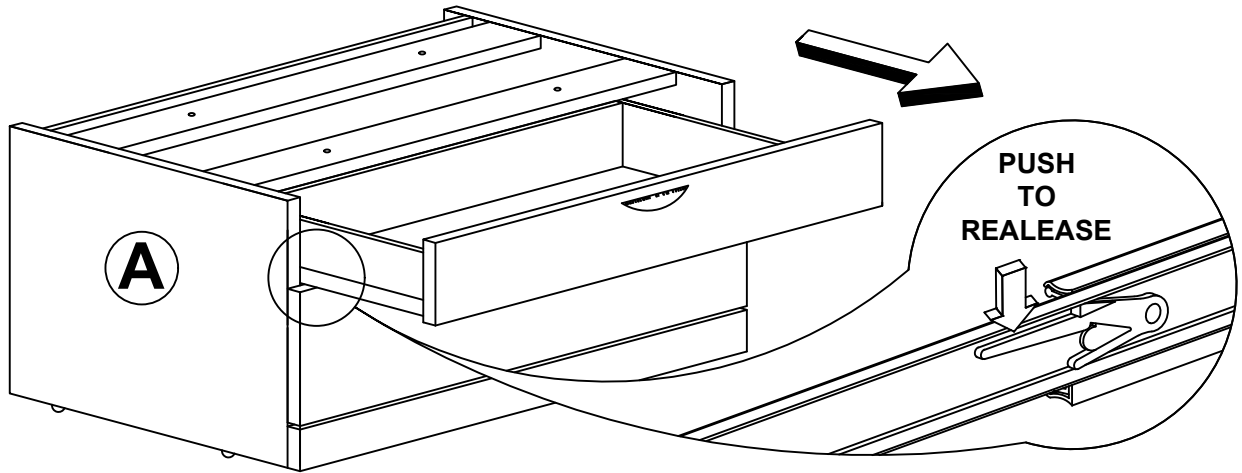
PACK WITH PL1012



**IMPORTANT !!**

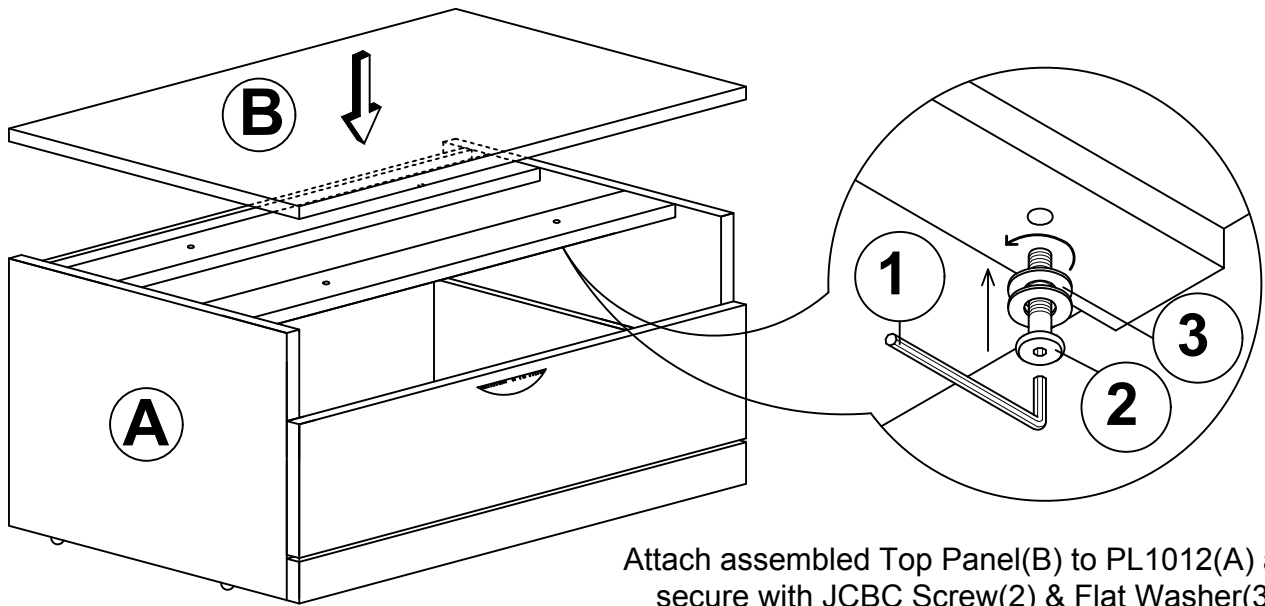
- Place all wooden parts on a clean and smooth surface such as a rug or carpet to avoid the parts from being scratched.
- Check that you have all parts and hardware.
- Remove all wrapping materials, including staples & packing straps before you start to assemble.
- Do not tighten any screws or bolts until the unit is completely assembled.
- Keep all hardware parts out of reach of children.

**1**



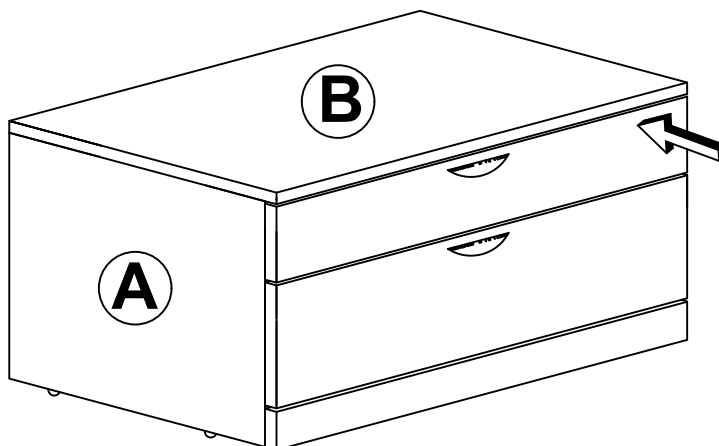
Push Drawer Slide at Drawer Box for PL1012(A). Push to release the Drawer Box and Pull Out from PL1012 body

**2**



Attach assembled Top Panel(B) to PL1012(A) and secure with JCBC Screw(2) & Flat Washer(3)

**3**



Attach Drawer Box for PL1012(A)