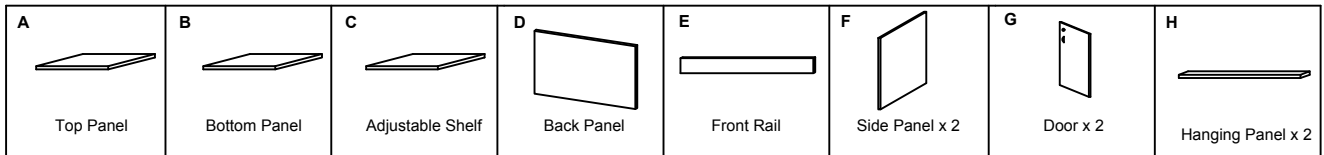
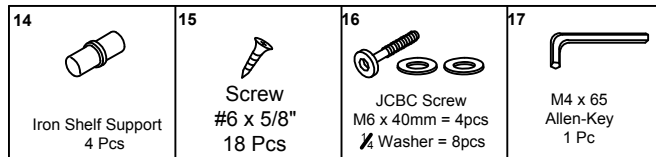
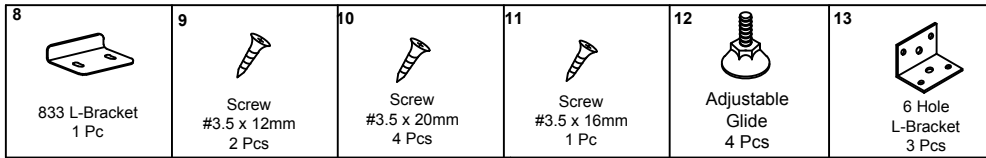
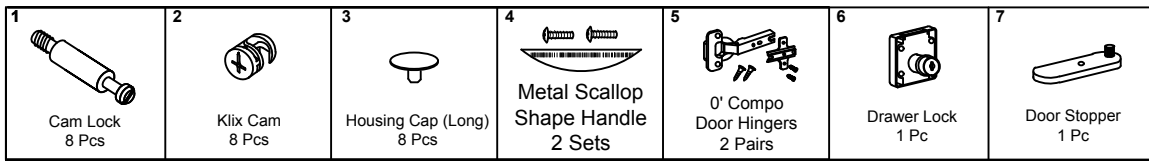
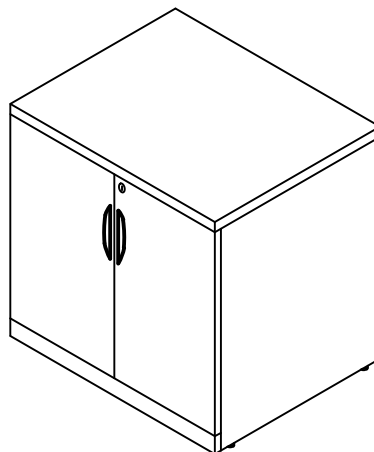
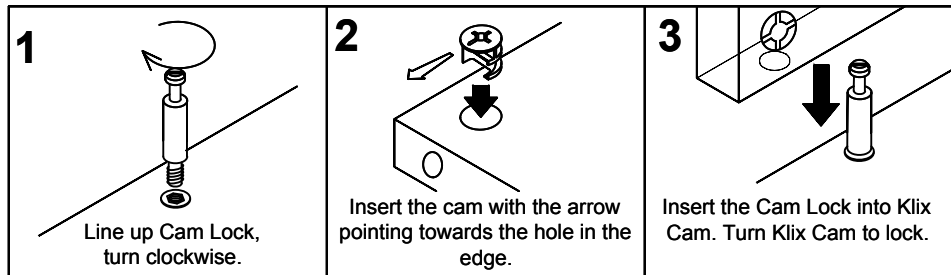


Thank you for purchasing the Performance Double Doors Cabinet.
Please follow these instructions for easy assembly.



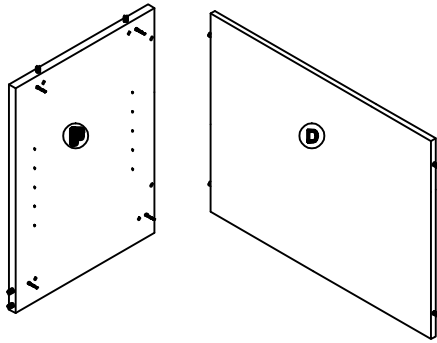
KLIX CAM INSTRUCTIONS



IMPORTANT !!

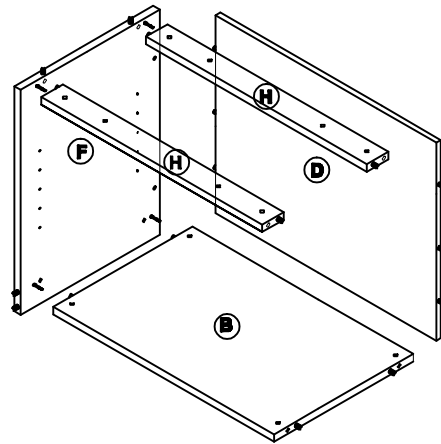
- Place all wooden parts on a clean and smooth surface such as a rug or carpet to avoid the parts from being scratched.
- Check that you have all parts and hardware.
- Remove all wrapping materials, including staples & packing straps before you start to assemble.
- Do not tighten any screws or bolts until the unit is completely assembled.
- Keep all hardware parts out of reach of children.

1



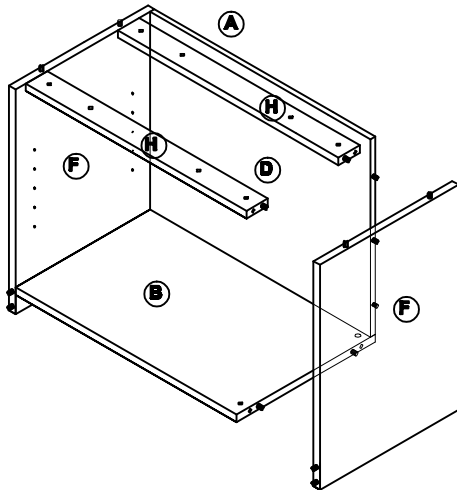
Attach Side Panel (F) to Back Panel (D).

2



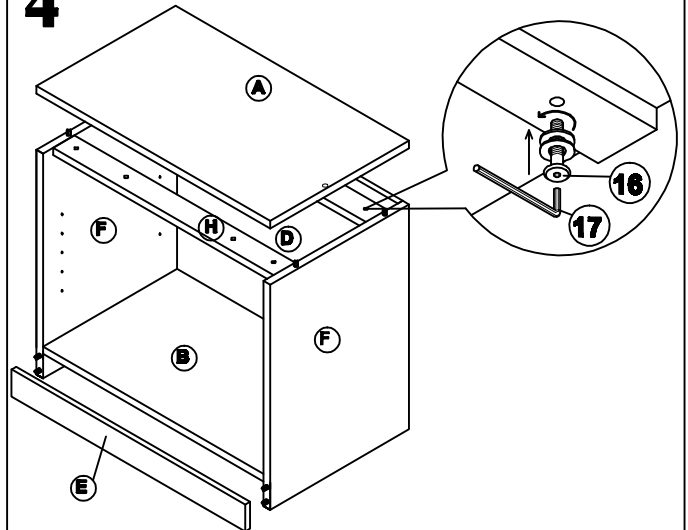
Attach the Bottom Panel (B) and Hanging Panel (H) to Side Panel (F) by using Cam Lock (1) and Klix Cam (2).

3

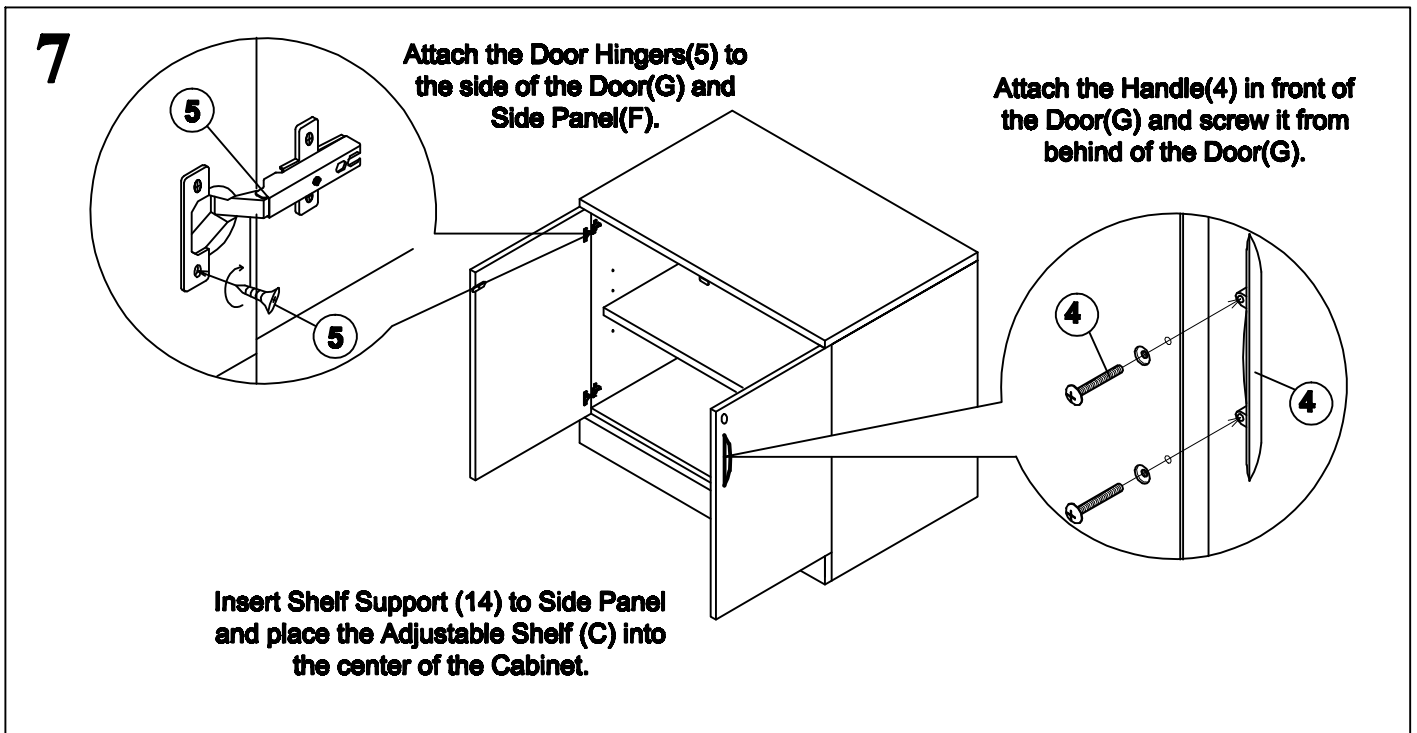
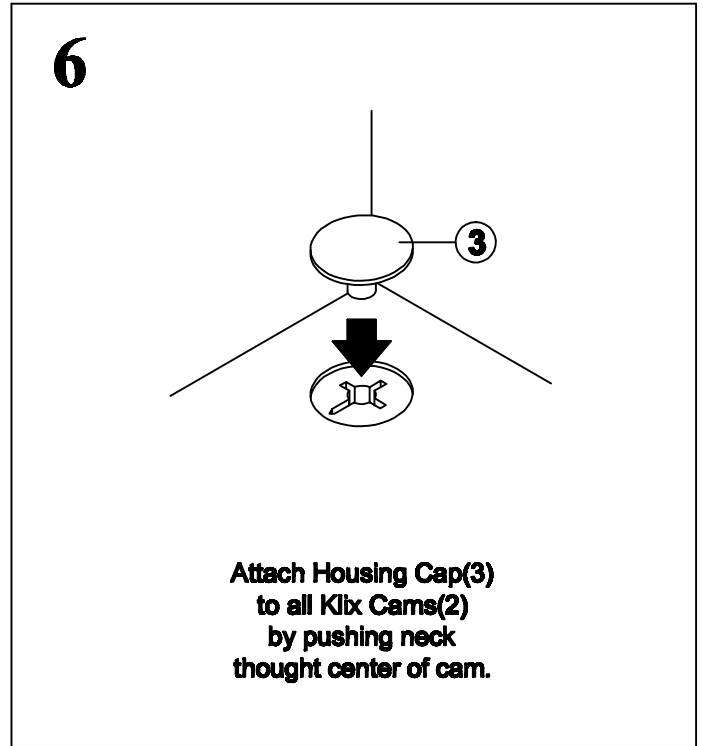
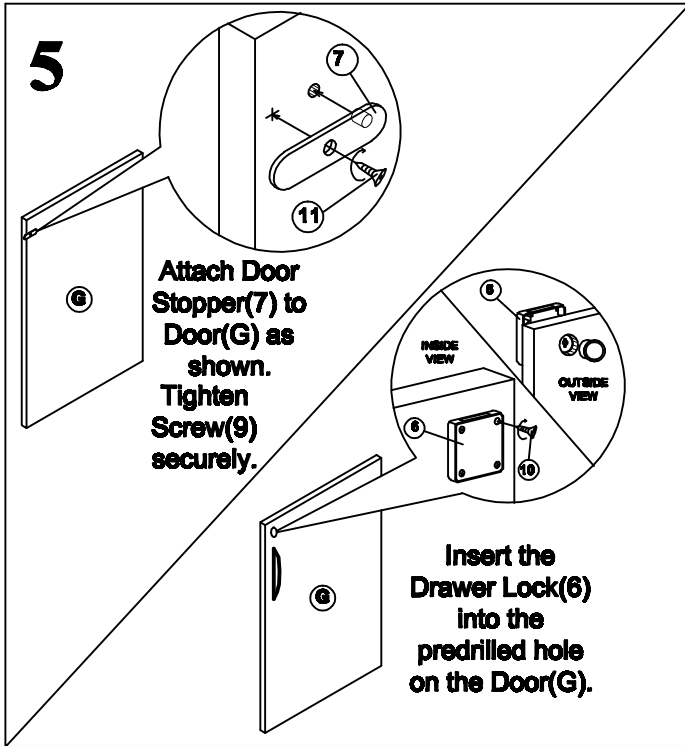


Attach the Hanging Panel(H) and another Side Panel(F) by using Cam Lock(1) and Klix Cam(2).

4

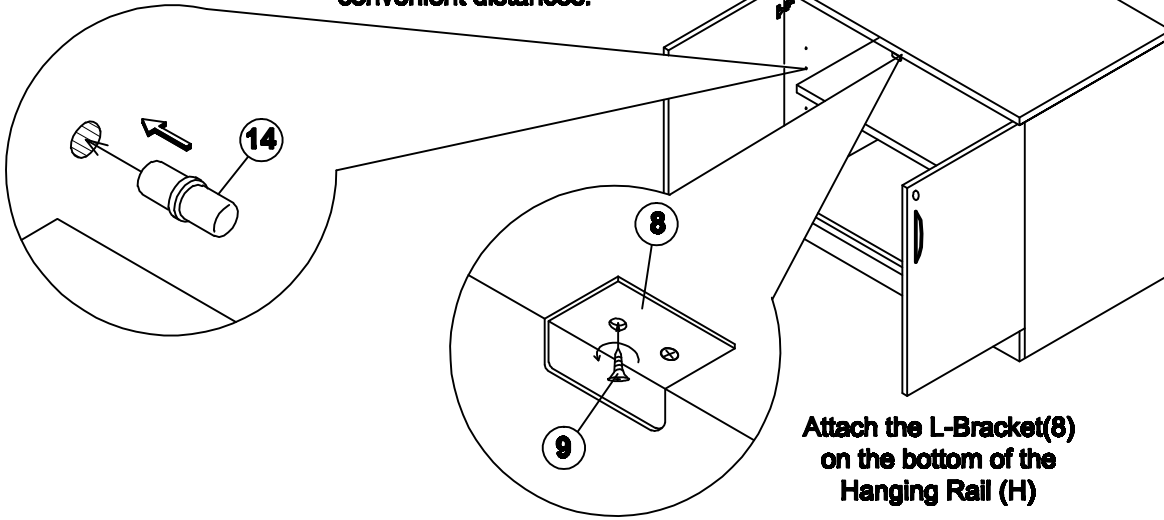


Attach the Top Panel (A) on top Side Panel (F), Back Panel (D) and Hanging Panel (H) by using JCBC Screw and Washer (16). Attach the Front Rail (E) and Side Panel (F) by using wood dowel.



8

Insert Shelf Support Pins(14) into the pre drilled holes and place Adjustable Shelf(C) at convenient distances.

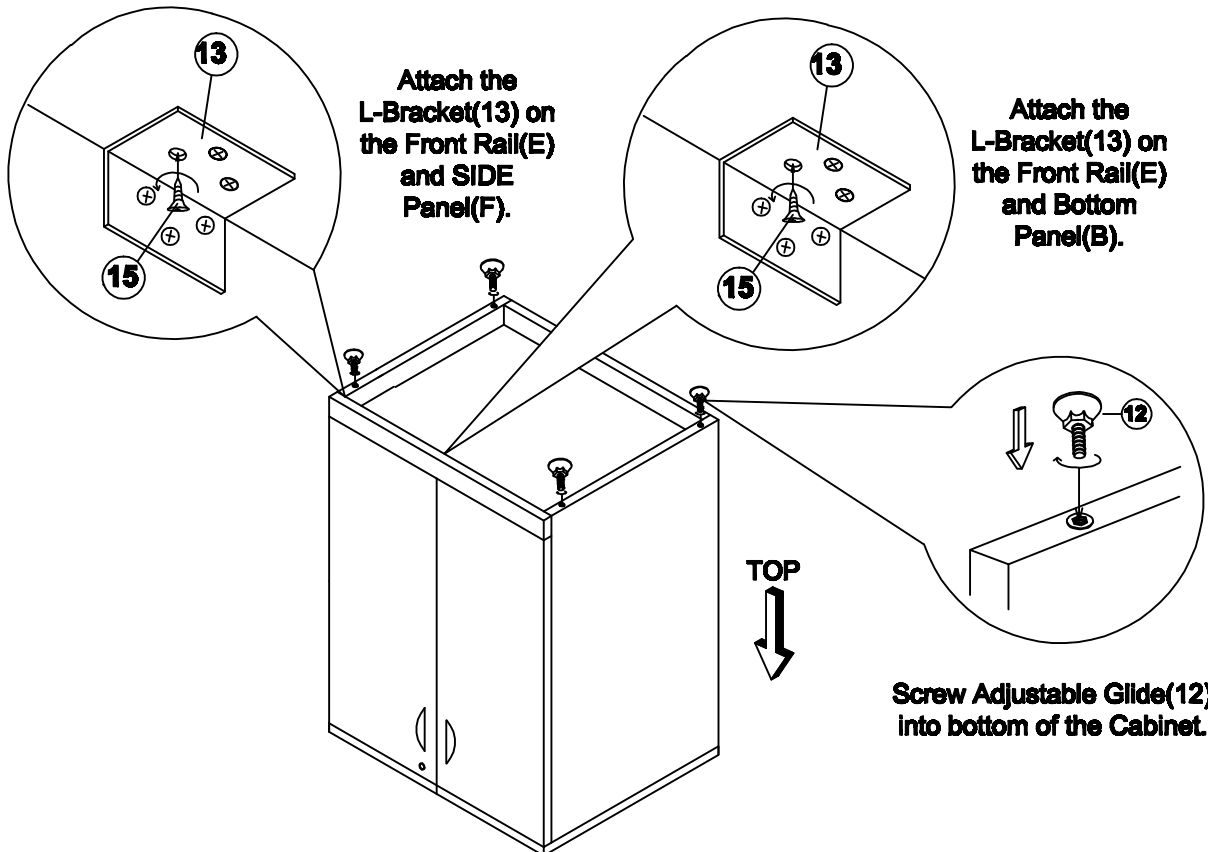


Attach the L-Bracket(8) on the bottom of the Hanging Rail (H)

9

Attach the L-Bracket(13) on the Front Rail(E) and SIDE Panel(F).

Attach the L-Bracket(13) on the Front Rail(E) and Bottom Panel(B).



Screw Adjustable Glide(12) into bottom of the Cabinet.

Additional Hardware.
 Please note that Performance Office Furnishings has enclosed additional hardware to allow you to attach this 2 door cabinet to underside of most desk.