

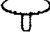
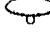

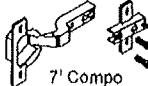


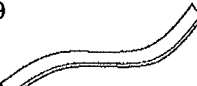









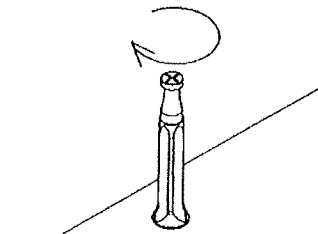
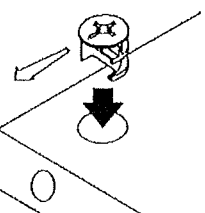
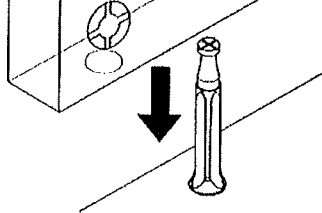
Thank you for purchasing the Performance Hutch With Doors.
 Please follow these instructions for easy assembly.

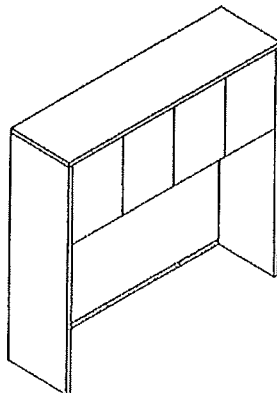
IMPORTANT : DO NOT MIX TYPE A AND TYPE B HINGE

1  Cam Lock 17 Pcs	2  Klix Cam 17 Pcs	3  Housing Cap (Long) 13 Pcs	4  Housing Cap (Short) 4 Pcs	5  15° Compo Door Hinges (TYPE A) 4 Pcs	6  7° Compo Door Hinges (TYPE B) 4 Pcs
7  Screw #3.5 x 16mm 16 Pcs	8  M4 x 65 Allen-Key 1 Pc	9  18 mm Double Sided Foam Tape 760 mm (L)	10  Door Stopper 4 Pcs		

A  Top Panel	B  Side Panel x 2	C  Center Vertical	D  Fixed Shelf	E  Door Panel x 4	F  Back Panel
---	--	---	---	--	--

KLIX CAM INSTRUCTIONS

1  Line up Cam Lock, turn clockwise.	2  Insert the cam with the arrow pointing towards the hole in the edge.	3  Insert the Cam Lock into Klix Cam. Turn Klix Cam to lock.
---	---	---



IMPORTANT !!

- Place all wooden parts on a clean and smooth surface such as a rug or carpet to avoid the parts from being scratched.
- Check that you have all parts and hardware.
- Remove all wrapping materials, including staples & packing straps before you start to assemble.
- Do not tighten any screws or bolts until the unit is completely assembled.
- Keep all hardware parts out of reach of children.

1

Attach the Fixed Shelf (D) and Back Panel (F) to Side Panel (B) by using Cam Lock (1) and Klix Cam (2).

2

Attach the Center Vertical (C) and another Side Panel (B) by using Cam Lock (1) and Klix Cam (2).

3

Attach the Top Panel (A) to Side Panel (B) and Center Vertical Panel (C) by using Cam Lock (1) and Klix Cam (2).

4

Attach the Doors Panel (E) to the Side Panel (B) with Type A Hinges (5). Attach Door Panel (E) to Center Vertical (C) with Type B Hinges (6).

Tighten Door Hinges (5 & 6) with Screw (7).

5

Peel Double Sided Foam Tape (9) and stick it on bottom of Side Panel (B).

7

Stick the Door Stopper (10) on the Fixed Shelf (D)

8

Attach Housing Cap (3 or 4) to all Klix Cam (2) by pushing neck through center of cam.