























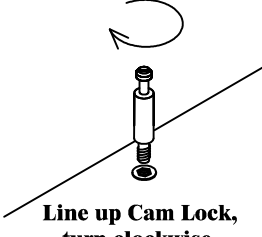
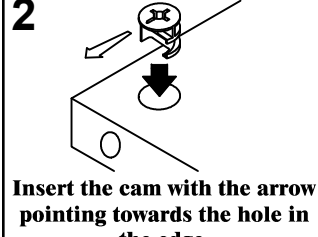

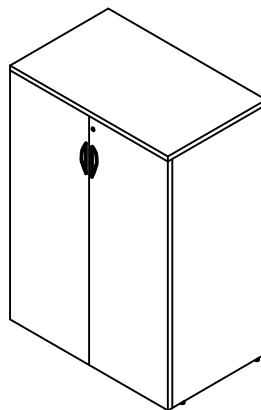


**Thank you for purchasing the Performance Two Door Storage Unit.
Please follow these instructions for easy assembly.**

1  Cam Lock 13 Pcs	2  Klix Cam 13 Pcs	3  Housing Cap (Long) 8 Pcs	4  Housing Cap (Short) 5 Pcs	5  Adjustable Glide 4 Pcs	6  Shelf Support Pin 8 Pcs	7  0° Compo Door Hingers 2 Pairs	8  Metal Scallop Shape Handle 2 Sets
9  833 L-Bracket 1 Pc	10  Screw M3.5 x 12mm 2 Pcs	11  Door Stopper 1 Pc	12  Screw M3.5 x 16mm 1 Pc	13  Drawer Lock 1 Pc	14  Screw M3.5 x 20mm 4 Pcs	15  3\" L-Bracket with 6 Hole 2 Pcs	
			16  Screw #6 x 3/8" 12 Pcs	17  M4 x 65 Allen-Key 1 Pc			
A  Back Panel	B  Left Gable	C  Right Gable	D  Top Panel	E  Bottom Panel	F  Adj. Shelf x 2	G  Door Panel x 2	

KLIX CAM INSTRUCTIONS

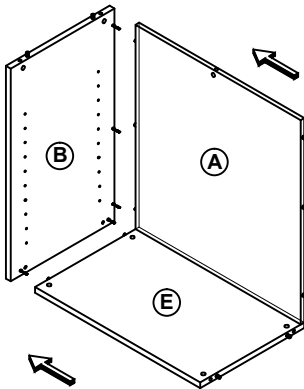
1  Line up Cam Lock, turn clockwise.	2  Insert the cam with the arrow pointing towards the hole in the edge.	3  Insert the Cam Lock into Klix Cam. Turn Klix Cam to lock.
--	---	---



IMPORTANT !!

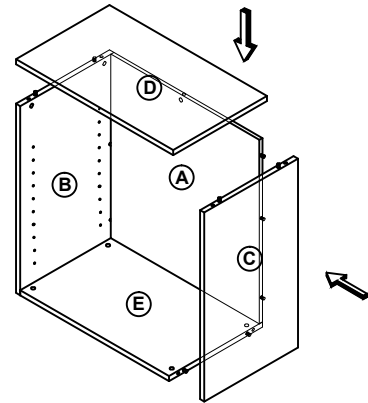
- Place all wooden parts on a clean and smooth surface such as a rug or carpet to avoid the parts from being scratched.
- Check that you have all parts and hardware.
- Remove all wrapping materials, including staples & packing straps before you start to assemble.
- Do not tighten any screws or bolts until the unit is completely assembled.
- Keep all hardware parts out of reach of children.

1



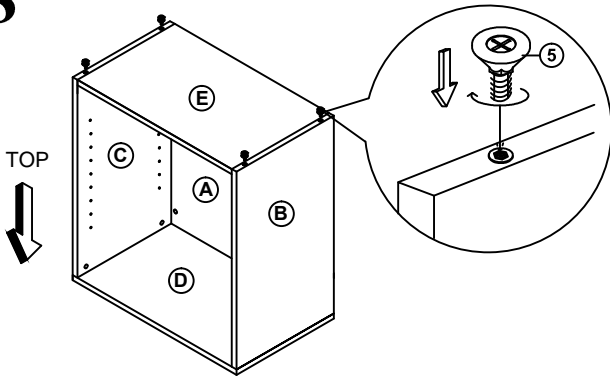
Attach Bottom Panel(E) and Back Panel(A) to Left Gable(B) by using Cam Lock(1) and Klix Cam(2).

2



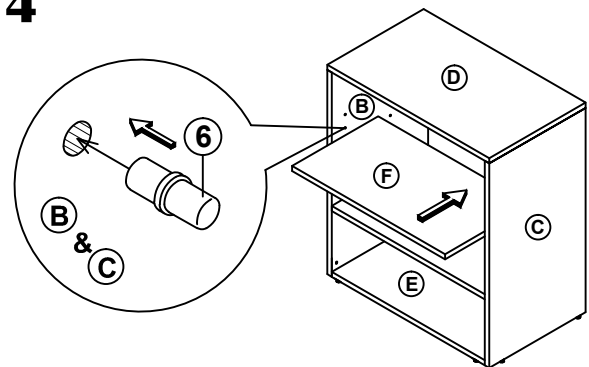
Attach Right Gable(C) and Top Panel(D) by using Cam Lock(1) and Klix Cam(2).

3



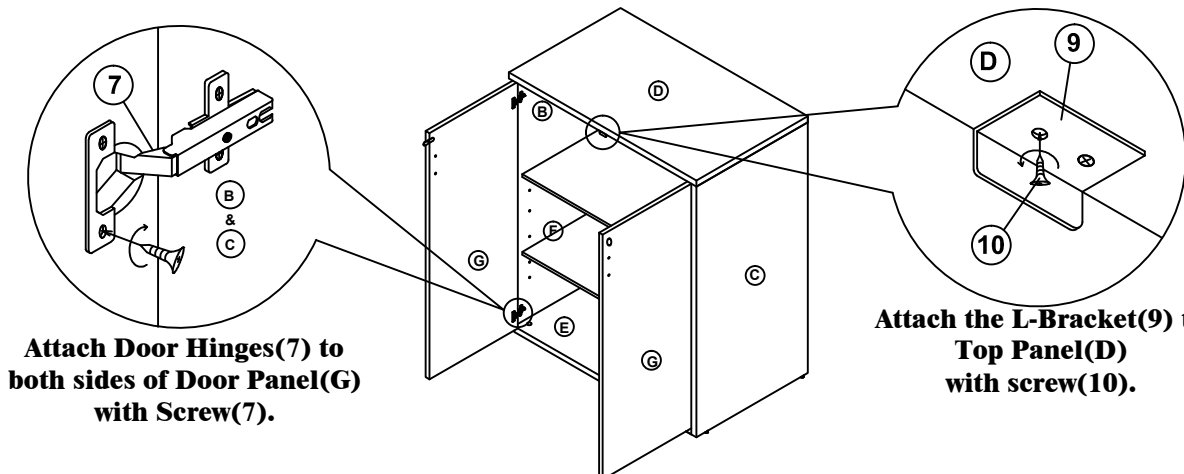
Screw Adjustable Glide(5) into bottom of Left Gable(B) and Right Gable(C).

4



Insert Shelf Support Pins(6) into the pre drilled holes and place Adjustable Shelves(F) at convenient distances.

5

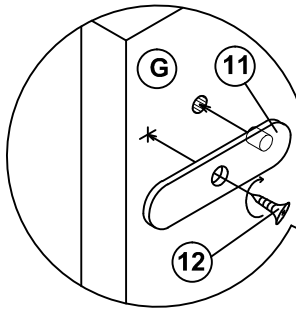


Attach Door Hinges(7) to both sides of Door Panel(G) with Screw(7).

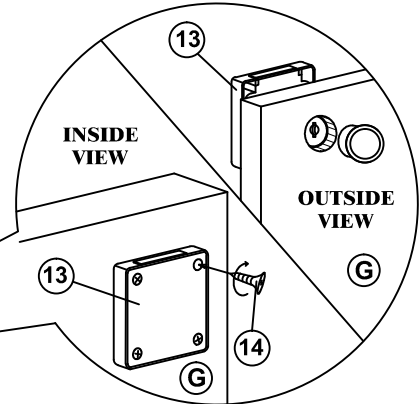
Attach the L-Bracket(9) to Top Panel(D) with screw(10).

Attach the Doors Panel (G) to the Left Gable (B) and Right Gable (C) by using the Door Hinges(7).

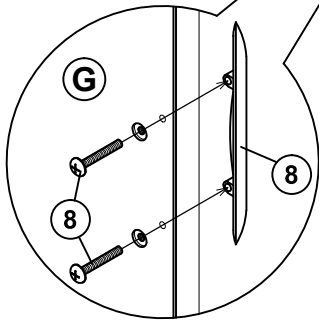
6



Attach Door Stopper(11) to Door Panel(G) as shown. Tighten Screw(12) securely.

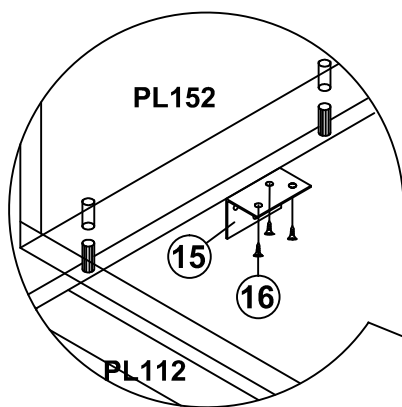


Insert the Drawer Lock(13) into the predrilled hole on the Door Panel(G).



Attach the Handle(8) in front of the Door Panel(G) and screw it from behind Door Panel(G).

OPTIONAL - FOR USE WITH PL112 LATERAL FILE.



Tighten the L-Bracket (15) as shown with Screws (16).

