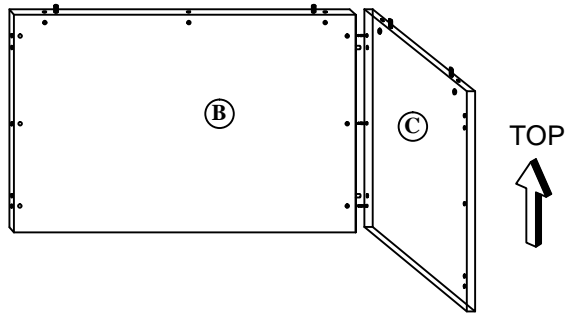


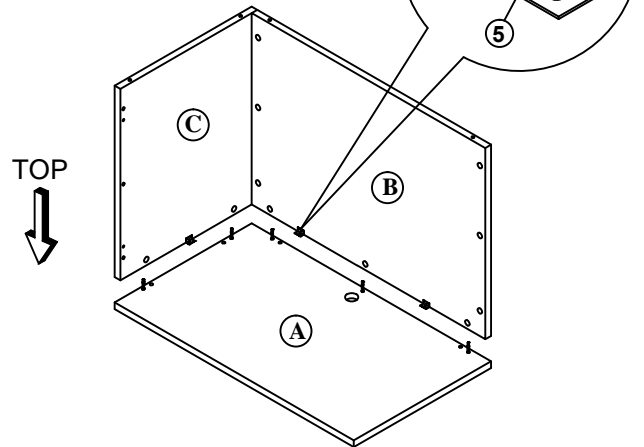
1



Attach Back Panel(B) to Side Panel(C) by using Wood Dowel(12), Cam Lock(1) and Klix Cam(2).

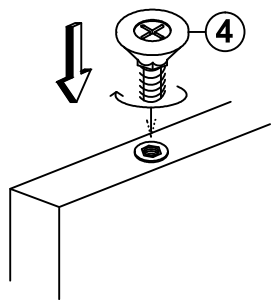
2

Attach the L-Bracket(5) to Back Panel(B) and Side Panel(C) as shown. Tighten Screws(6) securely.



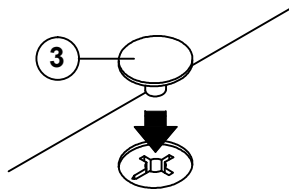
Attach the Back Panel(B) and Side Panel(C) to Top Panel(A) by using Cam Lock(1) and Klix Cam(2).

3



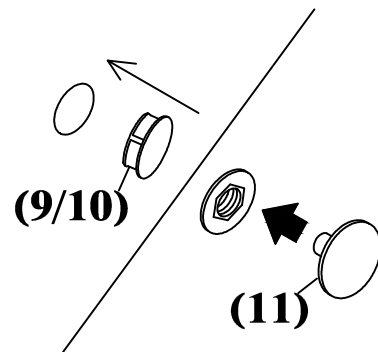
Screw Adjustable Glide(4) into bottom of Back Panel(B) and Side Panel (C).

4



Attach Housing Cap (3) to all Klix Cam(2) by pushing cam through center of cap.

5



Insert the Hole Plug (9/10) and D-nut Cap (11) to all drill hole of the other edge of Side Panel (C) and Back Panel (B) which the hole are not in use.

Additional Hardware.

Please note that Performance Office Furnishings has enclosed additional hardware to allow you to attach this return to other pieces.