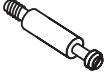



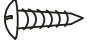




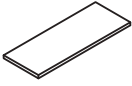
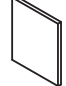
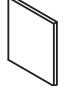
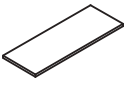


## MODEL: PL2044OH

### OPEN HUTCH - WALL MOUNT

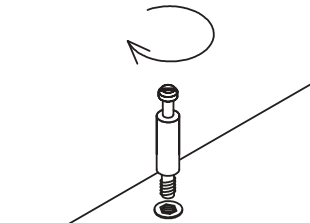
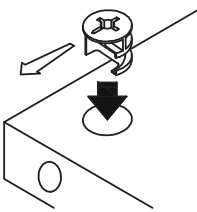
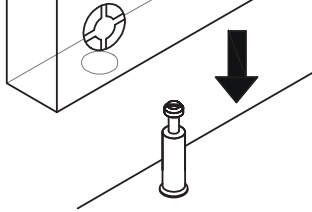
#### HARDWARE:

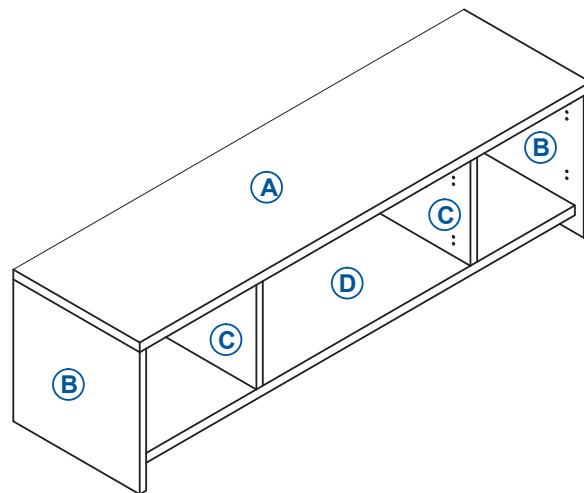
<b>1</b>  Cam Lock 22 Pcs	<b>2</b>  Klix Cam 22 Pcs	<b>3</b>  Housing Cap (Long) 18 Pcs	<b>4</b>  Housing Cap (Short) 4 Pcs	<b>5</b>  Pan Head Screw M9 x 25mm 14 Pcs	<b>6</b>  M4 Allen Key 1 Pc	<b>7</b>  Ø5mm Hole Plug 16 Pcs
---	---	--	--	---	---	--

#### COMPONENTS:

<b>A</b>  Top Panel	<b>B</b>  Side Panel x 2	<b>C</b>  Center Panel x 2	<b>D</b>  Bottom Panel	<b>E</b>  Back Panel	<b>F</b>  Wall Cleat
--	---	---	---	---	---

#### KLIX CAM INSTRUCTIONS

<b>1</b>  Line up Cam Lock, turn clockwise.	<b>2</b>  Insert the cam with the arrow pointing towards the hole in the edge.	<b>3</b>  Insert the Cam Lock into Klix Cam. Turn Klix Cam to lock.
--	--	--



#### **IMPORTANT :**

- Place all wooden parts on a clean, smooth surface to prevent the parts from being scratched.
- Check that you have all parts and hardware.
- Remove all wrapping materials, including staples & packing straps before you start to assemble.
- Do not tighten any screws or bolts until the unit is completely assembled.
- Keep all hardware parts out of reach of children.
- Please ensure that at least 4 of 12 screws that mount the cleat to the wall, are screwed into wall studs.

## MODEL: PL2044OH

### OPEN HUTCH - WALL MOUNT

