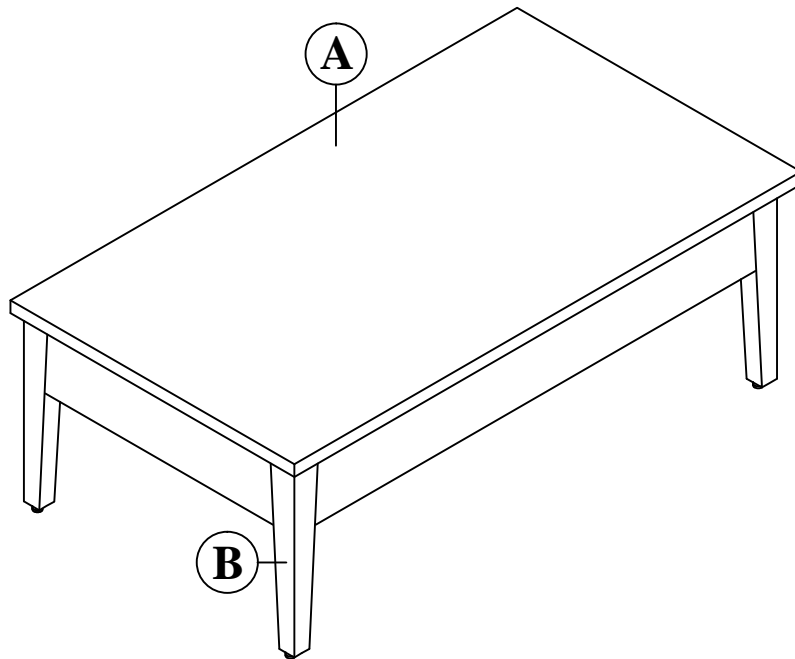
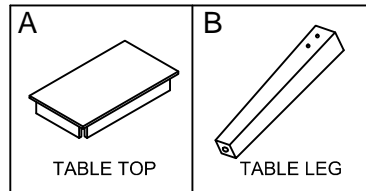
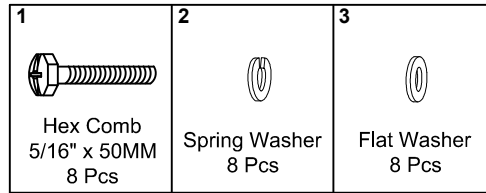
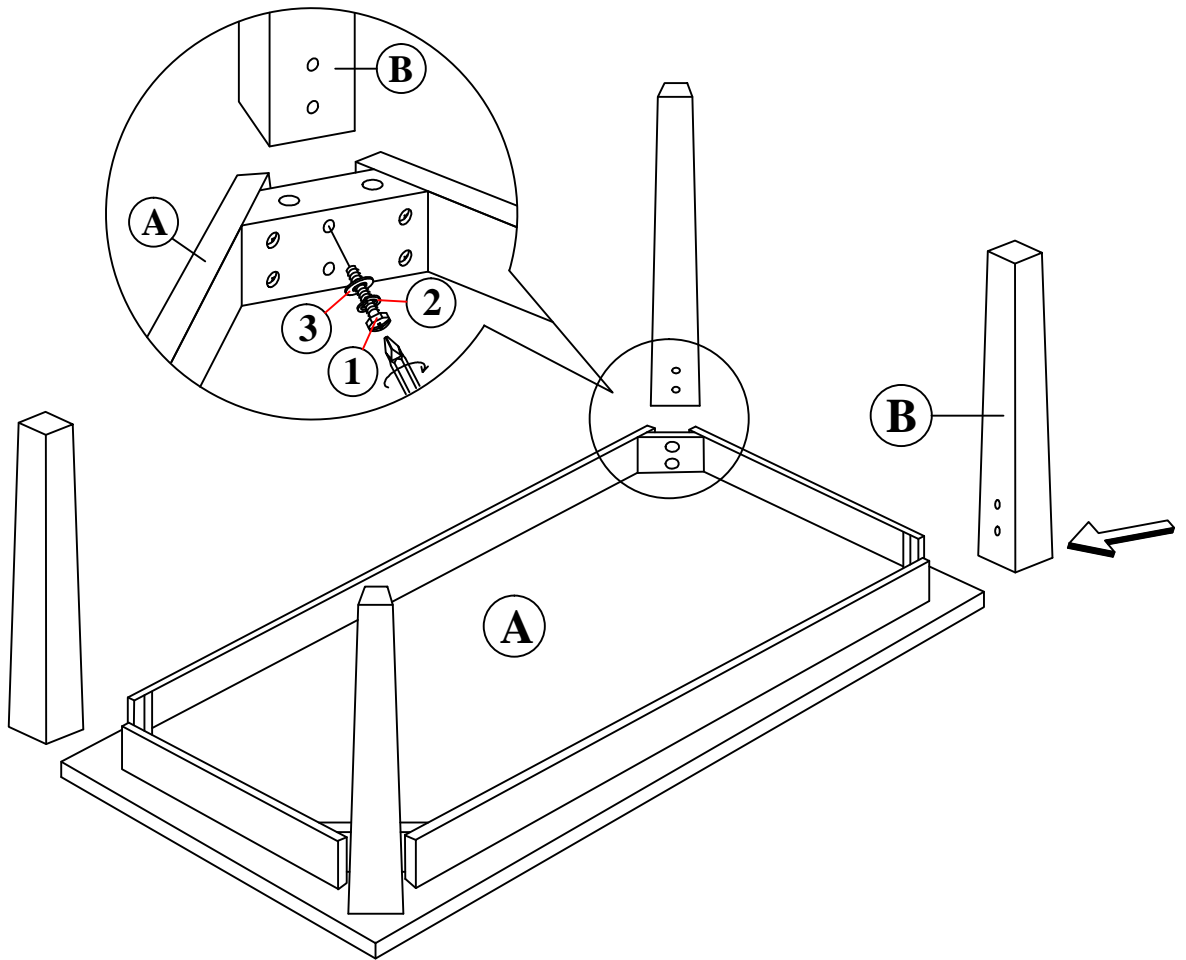


Thank you for purchasing the Performance Coffee Table.
Please follow these instructions for easy assembly.



IMPORTANT :

- Place all wooden parts on a clean and smooth surface such as a rug or carpet to avoid the parts from being scratched.
- Check to be sure that you have all parts and hardware.
- Remove all wrapping materials, including staples & packing straps before you start to assemble.
- Do not tighten screws/bolts until the unit is completely assembled.
- Keep all hardware parts out of reach of children.



Turn Table Top (A) upside down and Insert the Table Leg (B) & tighten to Table Top using the Hex Comb (1) , Spring Washer (2) , Flat Washer (3) as shown.