

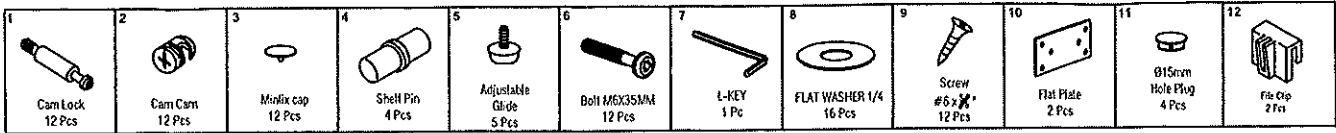
ASSEMBLY INSTRUCTIONS MODEL: PL 245



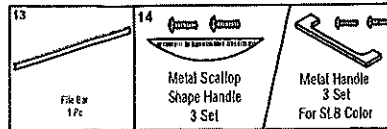
Before assembly, please remove all parts from carton, verifying that you have the correct quantities, and read all the instructions.

IN THE CARTON:

HARDWARE

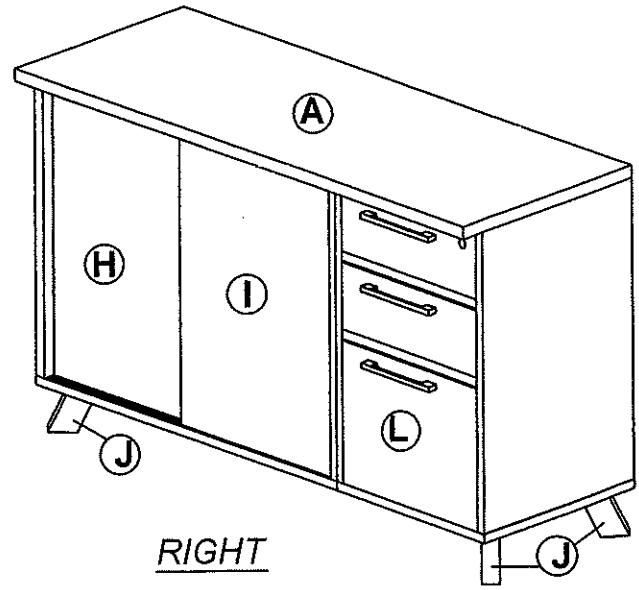
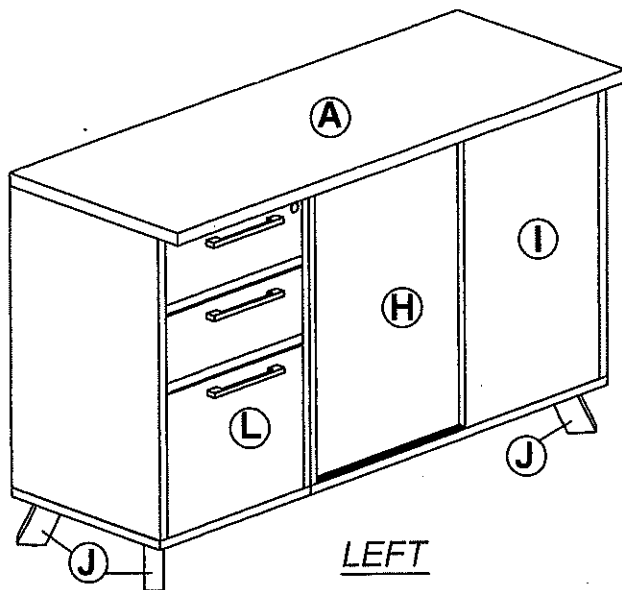
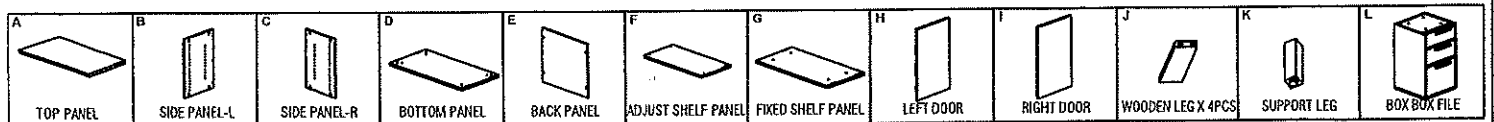


INCLUDED WITH PL245

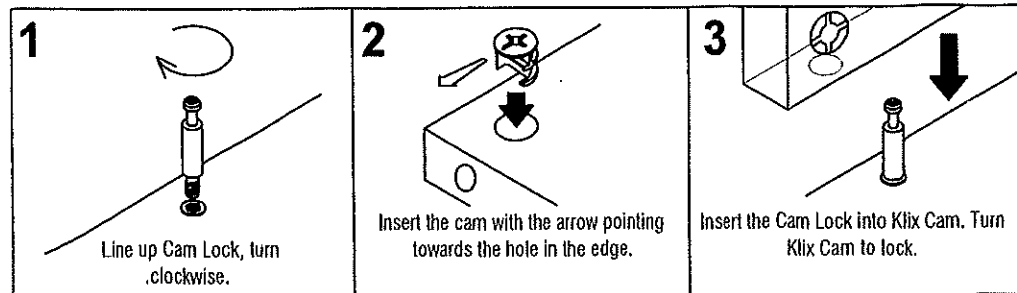


INCLUDED WITH PL245

COMPONENTS



KLIX CAM INSTRUCTIONS



INSTRUCTION:

1

Attach Side Panel-L(B) & Side Panel-R(C) to Fixed Shelf(G) & Back Panel(E) then attach Bottom Panel(D) to Side Panels(B,C) using Cam Lock(1) and Klix Cam(2).

2

Attach Cam Cap (3) to all Klix Cam(2) by pushing neck through center of cam.

3

Press drawer slide release tab and remove the top drawer and bottom drawer.

4
LEFT

Attach B/B/F(L) & Fixed Shelf(G) to Top Panel(A) and secure with Bolt(6) & Flat Washer(8)

Insert Adjustable Glides(5) into bottom of Wooden Leg(J) & Support Leg(K).

Attach Wooden Leg(J) to Bottom Panel(D) using Bolt(6)

Screw Support Leg(K) to Bottom Panel(D)

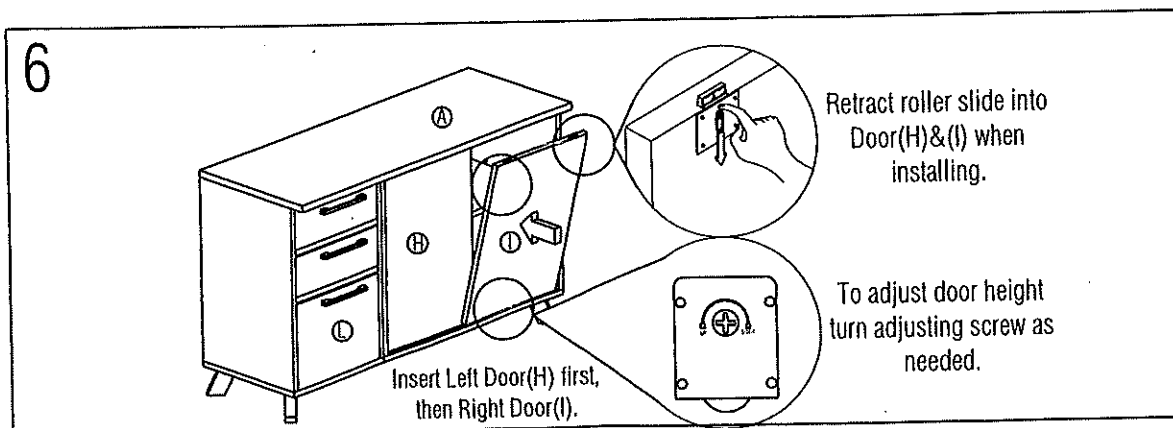
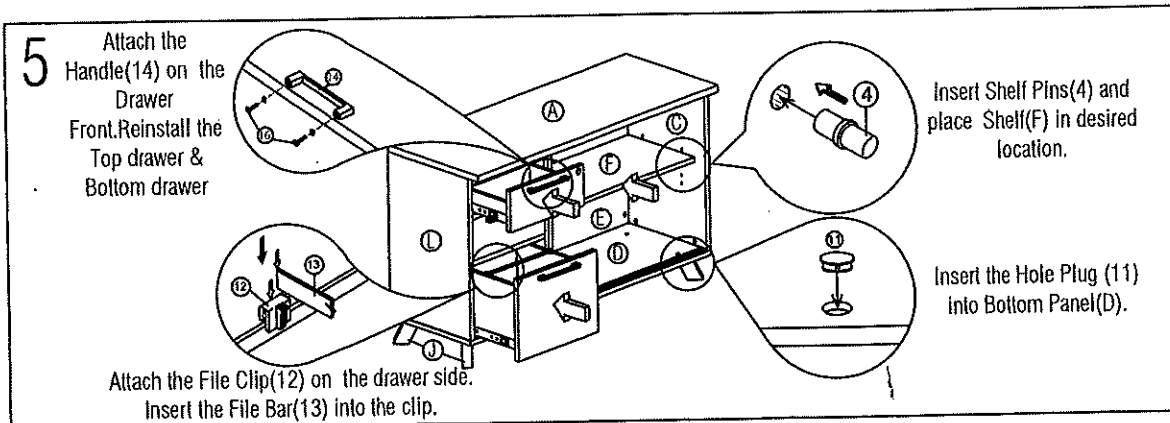
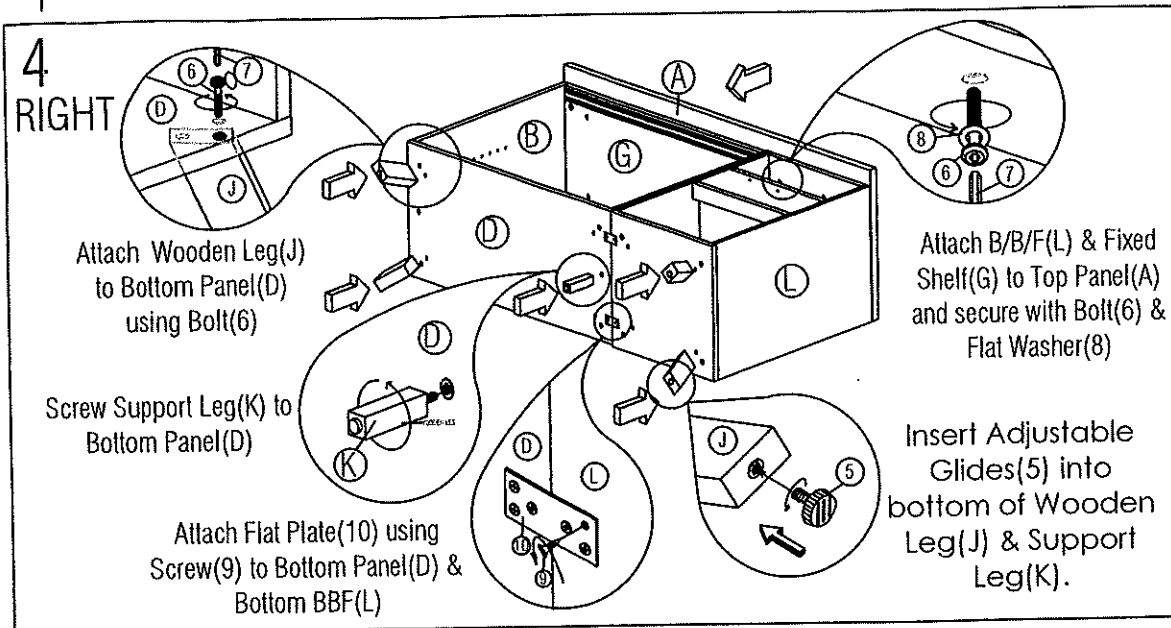
Attach Flat Plate(10) using Screw(9) to Bottom Panel(D) & Bottom BBF(L)

ATTENTION

Place all wooden parts on a clean, smooth surface to prevent them from being scratched. Check to be sure that you have all parts and hardware. Remove all wrapping materials, including staples and packing straps before you start to assemble. Do not tighten all screws/bolts until all completely assembled. Keep all hardware parts out of reach of children. If any parts are missing, broken, damaged or worn, stop use of product until repairs have been made using factory authorized parts. Failure to follow these warnings may result in injury.

ASSEMBLY INSTRUCTIONS
MODEL: PL245

INSTRUCTION:



ATTENTION

Place all wooden parts on a clean, smooth surface to prevent them from being scratched. Check to be sure that you have all parts and hardware. Remove all wrapping materials, including staples and packing straps before you start to assemble. Do not tighten all screws/bolts until all completely assembled. Keep all hardware parts out of reach of children. If any parts are missing, broken, damaged or worn, stop use of product until repairs have been made using factory authorized parts. Failure to follow these warnings may result in injury.

