









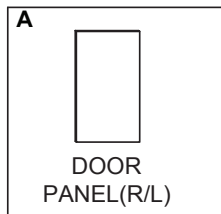
ASSEMBLY INSTRUCTIONS

MODEL: PLBCDK

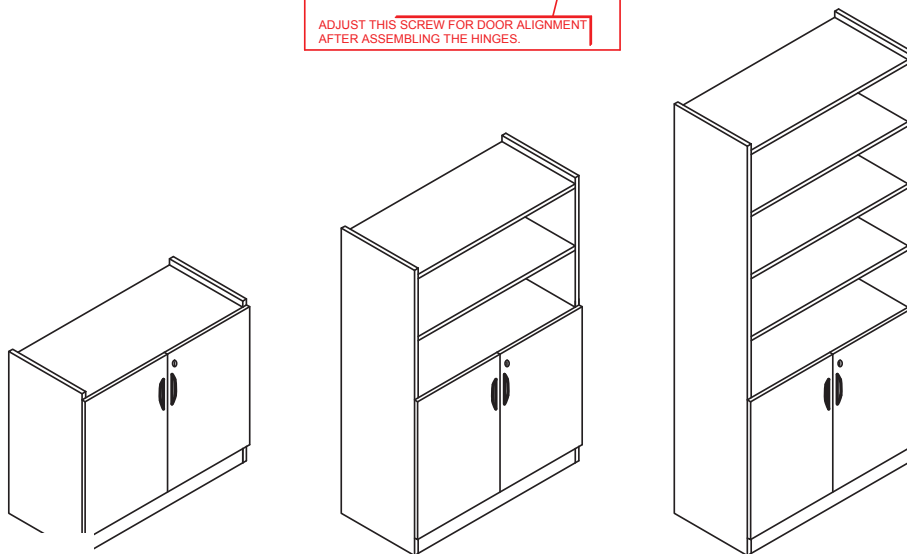
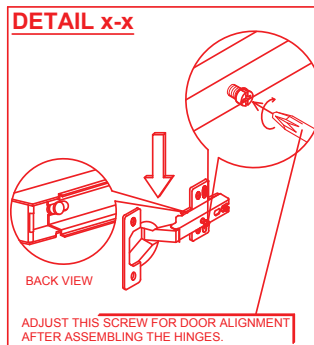
IN THE CARTON:

<p>1</p>  <p>Metal Scallop Shape Handle 2 Sets</p>	<p>2</p>  <p>833 L-Bracket 1 Pc</p>	<p>3</p>  <p>Screw #3.5 x 12mm 2 Pcs</p>	<p>4</p>  <p>Door Stopper 1 Pc</p>	<p>5</p>  <p>Screw #3.5 x 16mm 1 Pc</p>	<p>6</p>  <p>Drawer Lock 1 Pc</p>
		<p>7</p>  <p>Softclosing Door Hinges 2 Pairs</p>	<p>8</p>  <p>Screw #3.5 x 20mm 4 Pcs</p>		

INSTRUCTIONS:

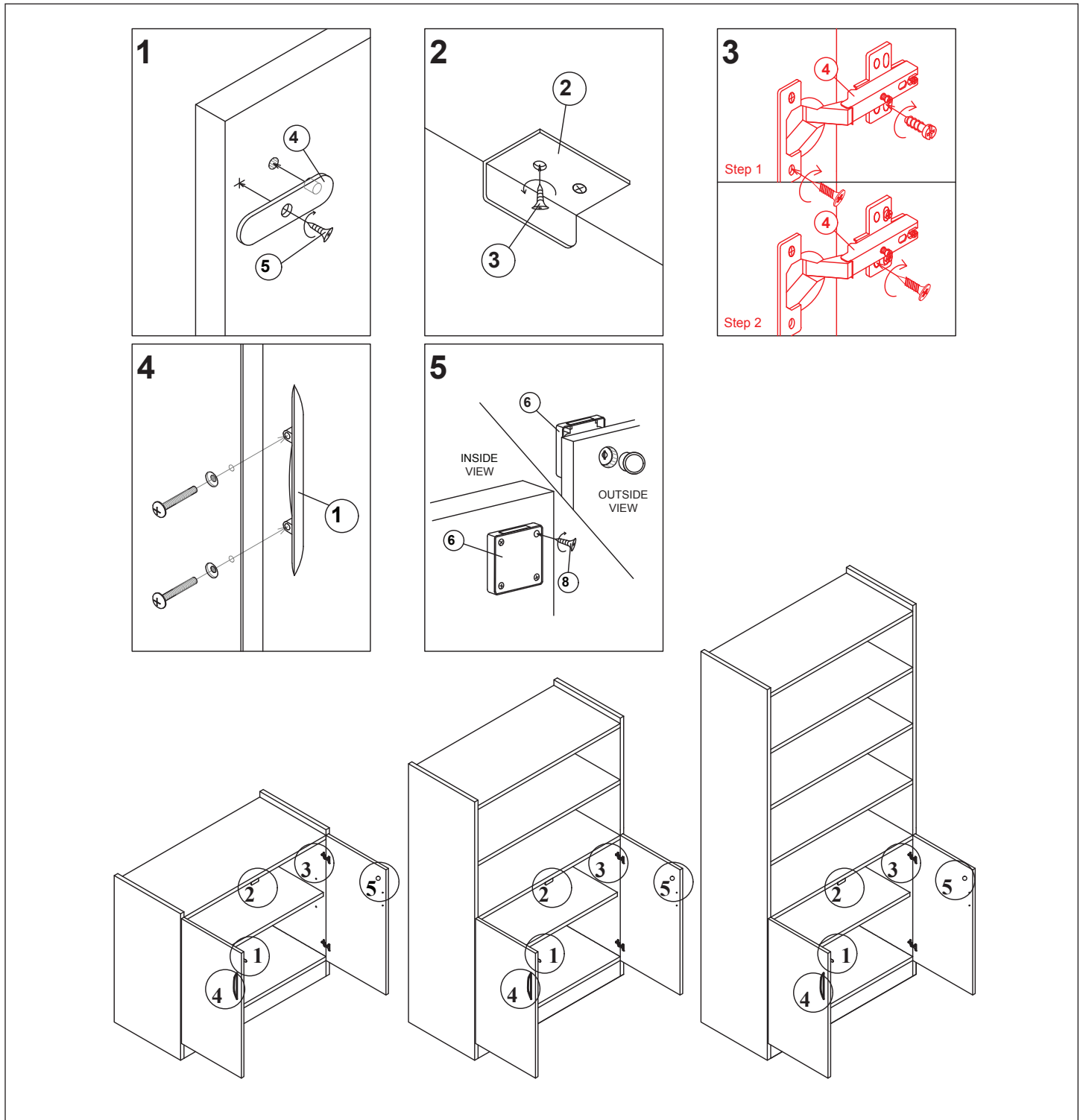


DOOR HINGERS INSTRUCTIONS



ASSEMBLY INSTRUCTIONS

MODEL: PLBCDK



⚠ ATTENTION ⚠

Do not tighten any screws or bolts until the unit is completely assembled.

Ensure all bolts and screws are tightened before using the table, check bolts and screws every 6 months.

If any parts are missing, broken, damaged or worn, stop use of product until repairs have been made using factory authorized parts.

Failure to follow these warnings may result in injury.