




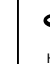
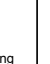



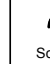

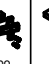


ASSEMBLY INSTRUCTIONS

MODEL: PLCUBED20

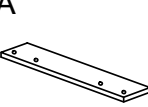
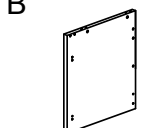
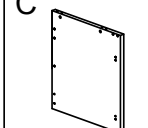
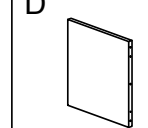
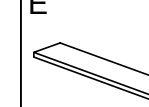
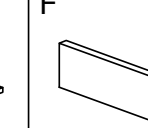
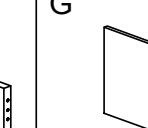
Before assembly, please remove all parts from the carton, verifying that you have the correct quantities, and read all the instructions.

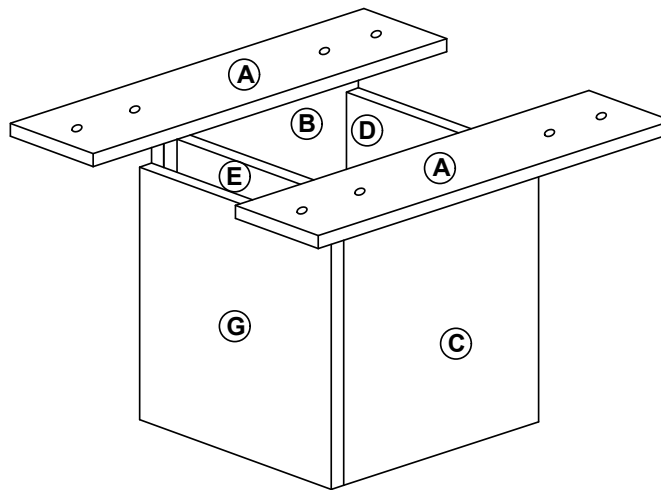
IN THE CARTON:

HARDWARE

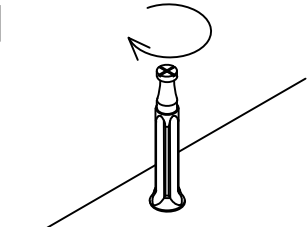
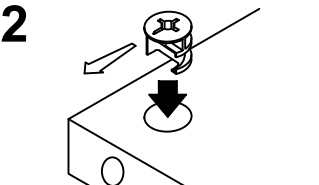
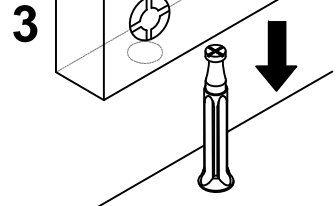
1  Cam Lock 18 Pcs	2  Klix Cam 18 Pcs	3  Housing Cap (Long) 14 Pcs	4  Housing Cap (Short) 4 Pcs	5  Adjustable Glide 6 Pcs	6  JCBC Screw M6 x 40mm = 8pcs Washer = 8pcs	7  6 Hole L-Bracket 4 Pcs	8  Screw #6 x 3/8" 24 Pcs	9  0° Compo Door Hinges 1 Pair	10  Magnet Catches 1 Set	11  Screw #3.5 x 16mm 2 Pcs	12  Screw #3.5 x 12mm 2 Pcs	13  M4 x 65 Allen-Key 1 Pc
--	--	--	--	--	---	--	--	---	---	--	--	---

COMPONENTS

A  Support Rail Left & Right	B  Side Panel LEFT	C  Side Panel RIGHT	D  Back Panel	E  Top Rail	F  Bottom Rail	G  Door Panel
--	---	--	--	---	---	--

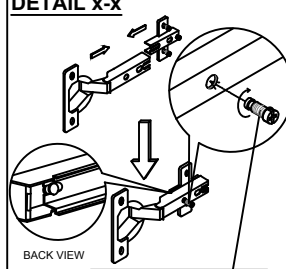


KLIX CAM INSTRUCTIONS

<p>1</p>  <p>Line up Cam Lock, turn clockwise.</p>	<p>2</p>  <p>Insert the cam with the arrow pointing towards the hole in the edge.</p>	<p>3</p>  <p>Insert the Cam Lock into Klix Cam. Turn Klix Cam to lock.</p>
--	---	---

HINGE INSTRUCTIONS

DETAIL x-x



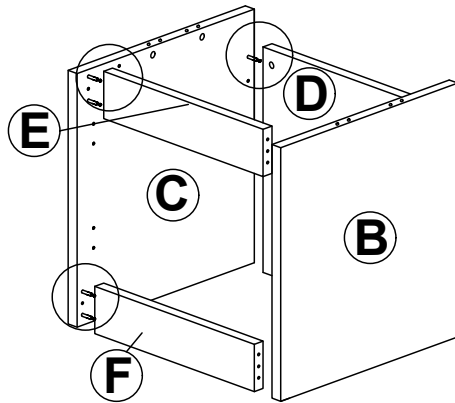
BACK VIEW
ADJUST THIS SCREW FOR DOOR ALIGNMENT
AFTER ASSEMBLY OF THE HINGES.

ASSEMBLY INSTRUCTIONS

MODEL: PLCUBED20

INSTRUCTIONS:

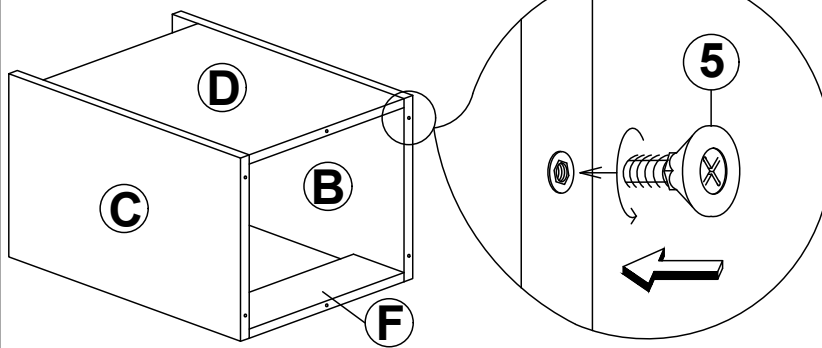
1



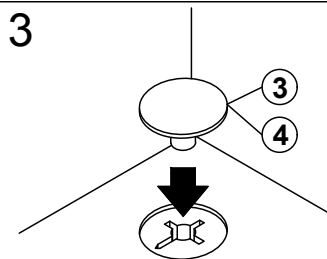
Assemble Cube Base by attaching Side Panels (B) & (C) to Back Panels (D), Top rail (E) & Bottom Rail (F) with Cam Lock (1) and Klix Cam (2).

2

Screw Adjustable Glide (5) into bottom of End Base (B,C).



3

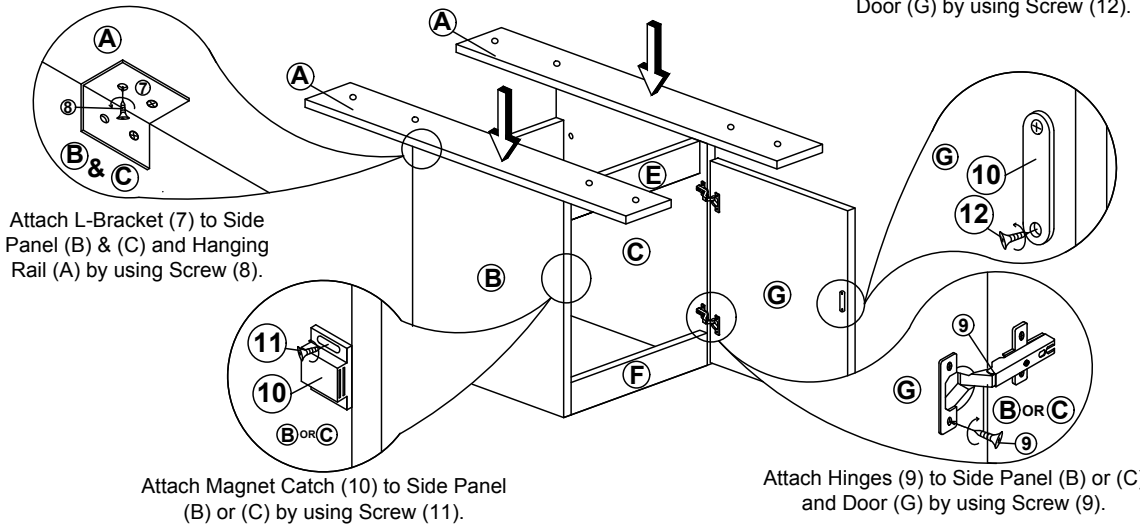


Attach Housing Cap (3) or (4) to all Klix Cams (2) by pushing neck through center of cam.

4

Attach Cube Base Support (A) by using Cam Lock (1) and Klix Cam (2).

Attach Catch Plate (10) to Door (G) by using Screw (12).



Attach L-Bracket (7) to Side Panel (B) & (C) and Hanging Rail (A) by using Screw (8).

Attach Magnet Catch (10) to Side Panel (B) or (C) by using Screw (11).

Attach Hinges (9) to Side Panel (B) or (C) and Door (G) by using Screw (9).

⚠ ATTENTION ⚠

Place all wooden parts on a clean, smooth surface to prevent them from being scratched.

Check to be sure that you have all parts and hardware. Remove all wrapping materials, including staples and packing straps before you start to assemble. Do not tighten all screws/bolts until all completely assembled. Keep all hardware parts out of reach of children. If any parts are missing, broken, damaged or worn, stop use of product until repairs have been made using factory authorized parts. Failure to follow these warnings may result in injury.