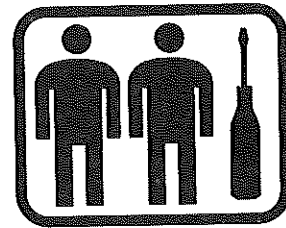
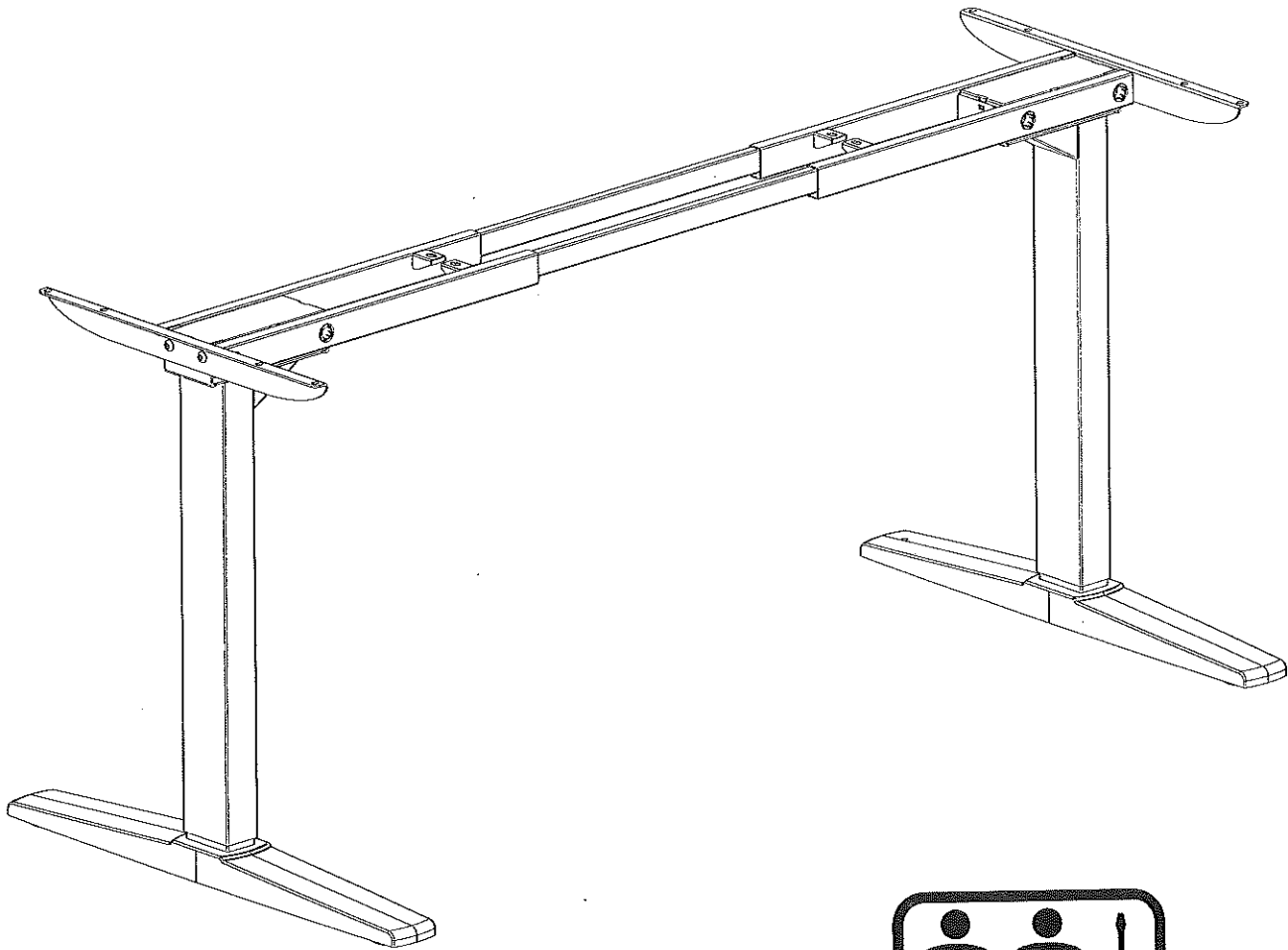


ASSEMBLY INSTRUCTIONS
MODEL: PLTEAB4872ULWF24

P PERFORMANCE
FURNISHINGS

Before assembly, please remove all parts from the carton, verifying that you have the correct quantities, and read all the instructions.



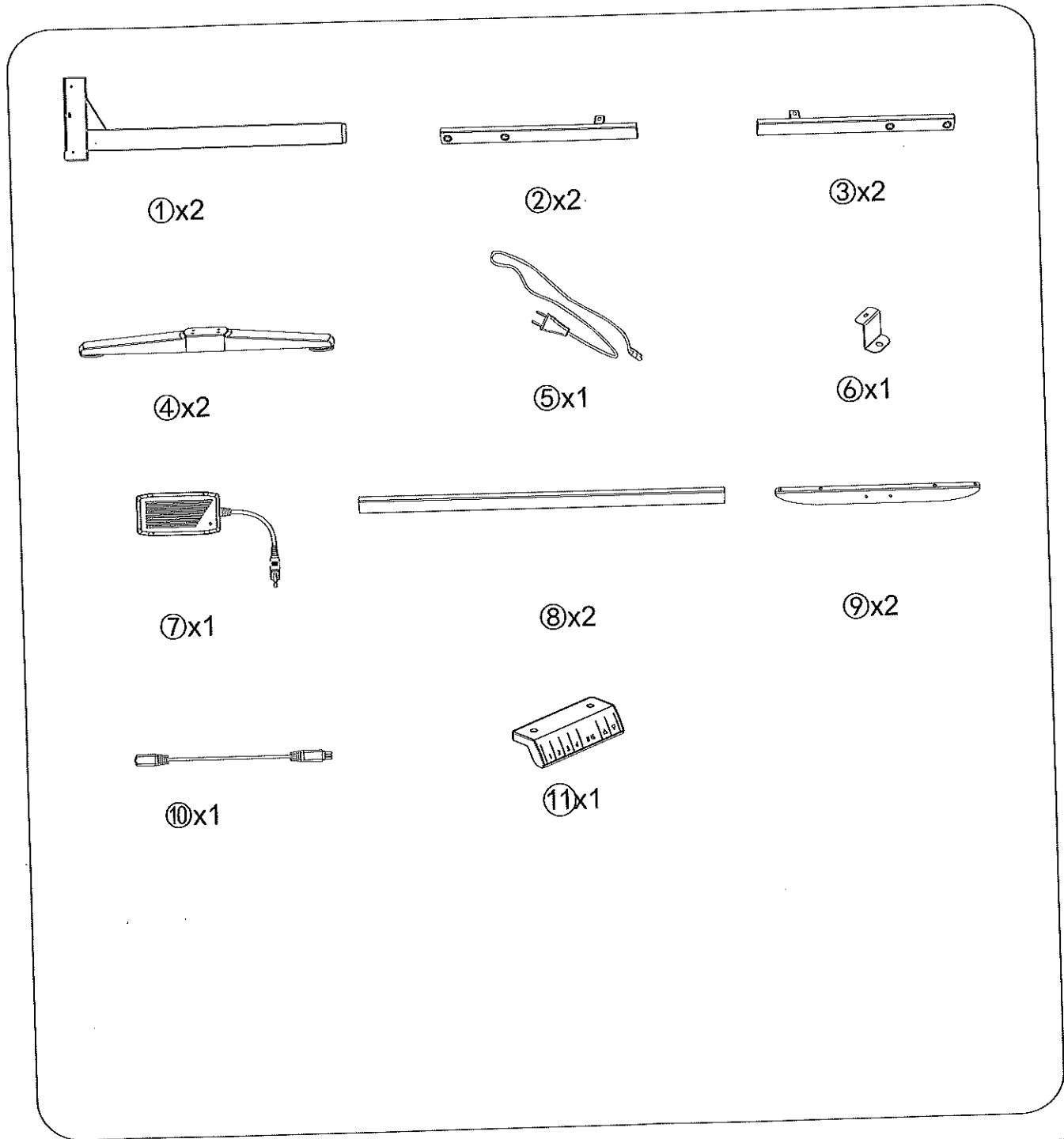
Two-person Assembly

▲ ATTENTION ▲

Do not tighten any screws or bolts until the unit is completely assembled.
Ensure all bolts and screws are tightened before using, check bolts and screws every 6 months.
If any parts are missing, broken, damaged or worn, stop use of product until repairs have been made using factory authorized parts.
Failure to follow these warnings may result in injury.

ASSEMBLY INSTRUCTIONS
MODEL: PLTEAB4872ULWF24

Before assembly, please remove all parts from the carton, verifying that you have the correct quantities, and read all the instructions.



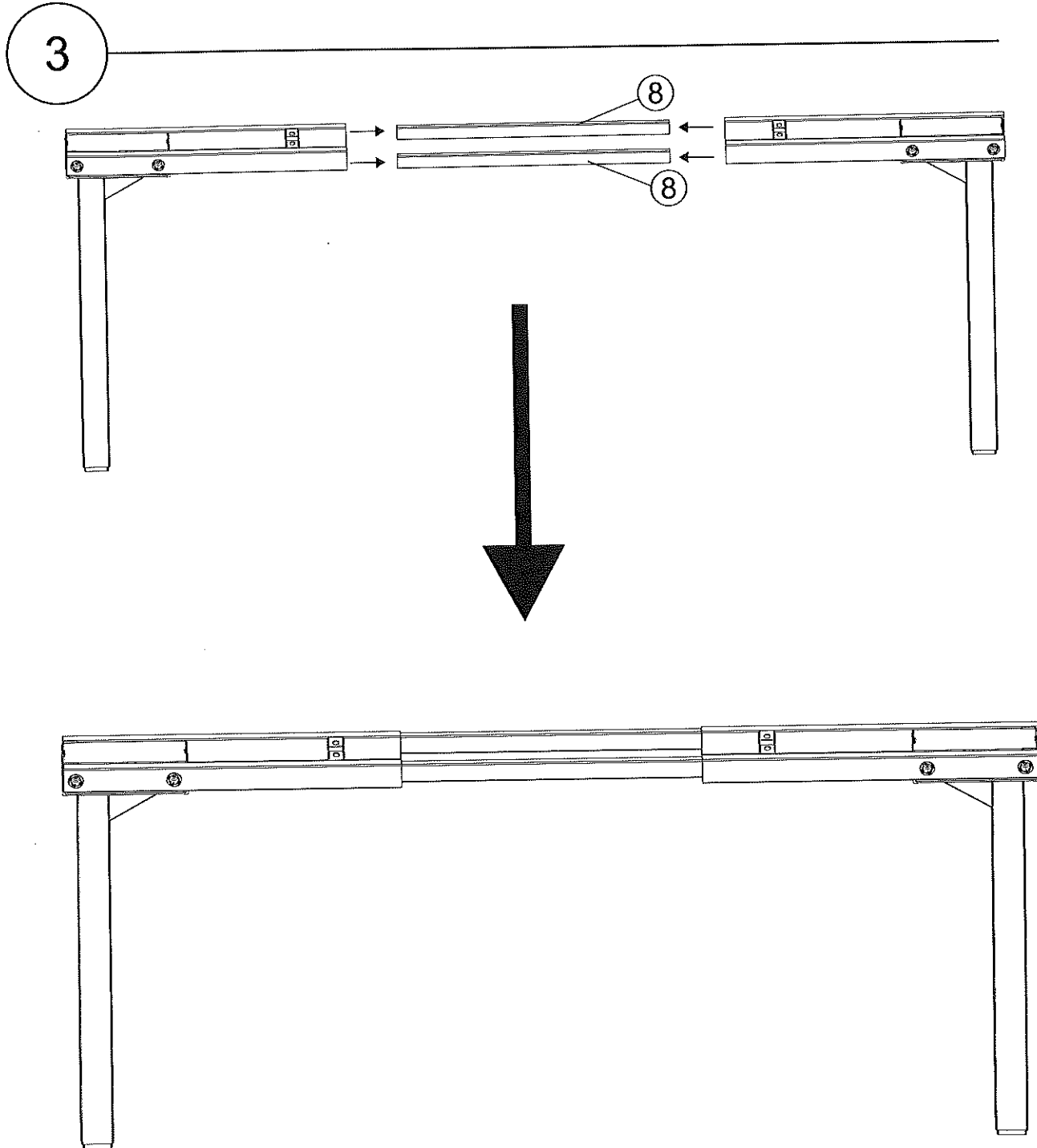
▲ ATTENTION ▲

Do not tighten any screws or bolts until the unit is completely assembled.
Ensure all bolts and screws are tightened before using, check bolts and screws every 6 months.
If any parts are missing, broken, damaged or worn, stop use of product until repairs have been made using factory authorized parts.
Failure to follow these warnings may result in injury.

ASSEMBLY INSTRUCTIONS
MODEL: PLTEAB4872ULWF24



Before assembly, please remove all parts from the carton, verifying that you have the correct quantities, and read all the instructions.



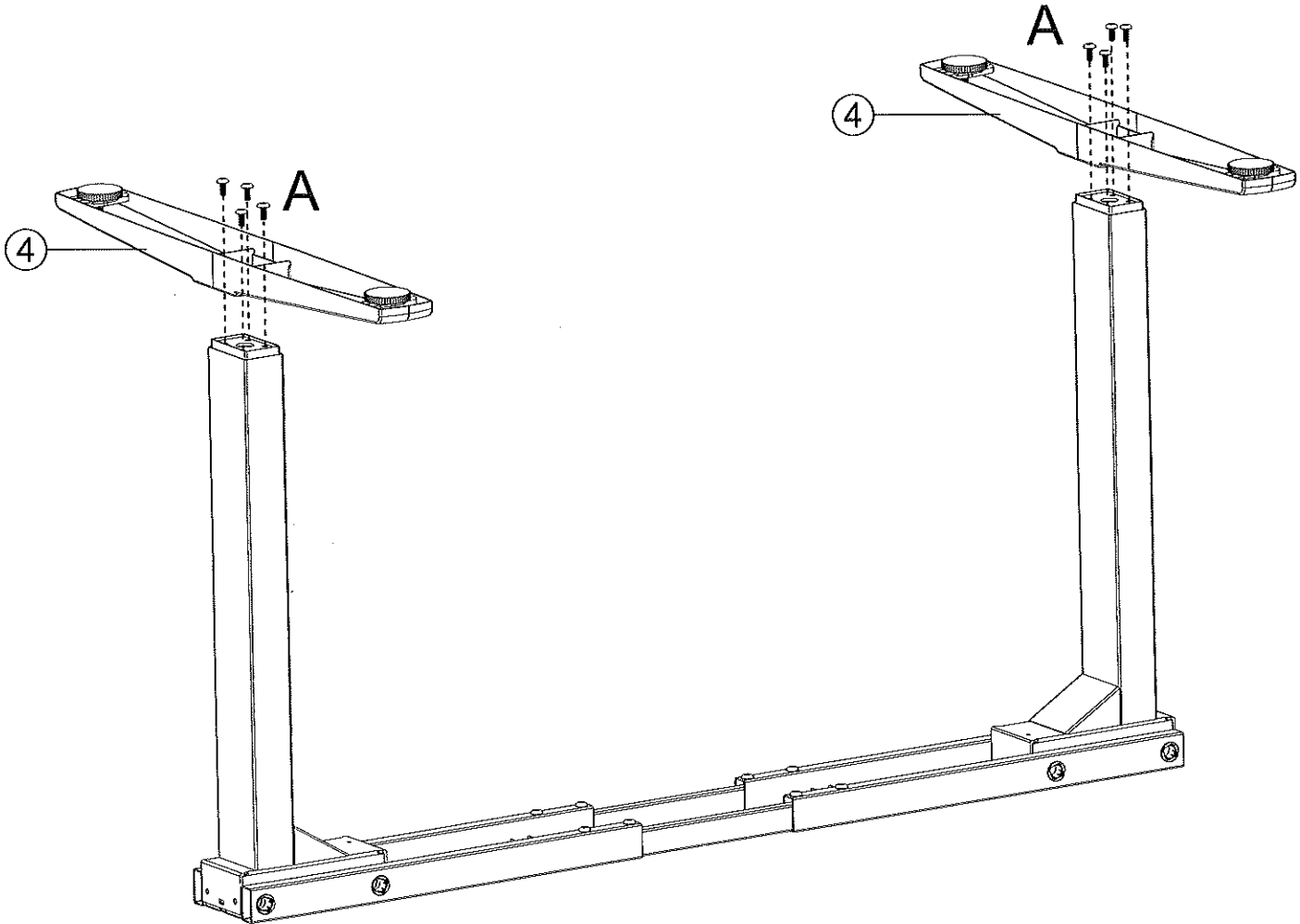
⚠ ATTENTION ⚠

Do not tighten any screws or bolts until the unit is completely assembled.
Ensure all bolts and screws are tightened before using, check bolts and screws every 6 months.
If any parts are missing, broken, damaged or worn, stop use of product until repairs have been made using factory authorized parts.
Failure to follow these warnings may result in injury.



Before assembly, please remove all parts from the carton, verifying that you have the correct quantities, and read all the instructions.

5



▲ ATTENTION ▲

Do not tighten any screws or bolts until the unit is completely assembled.

Ensure all bolts and screws are tightened before using, check bolts and screws every 6 months.

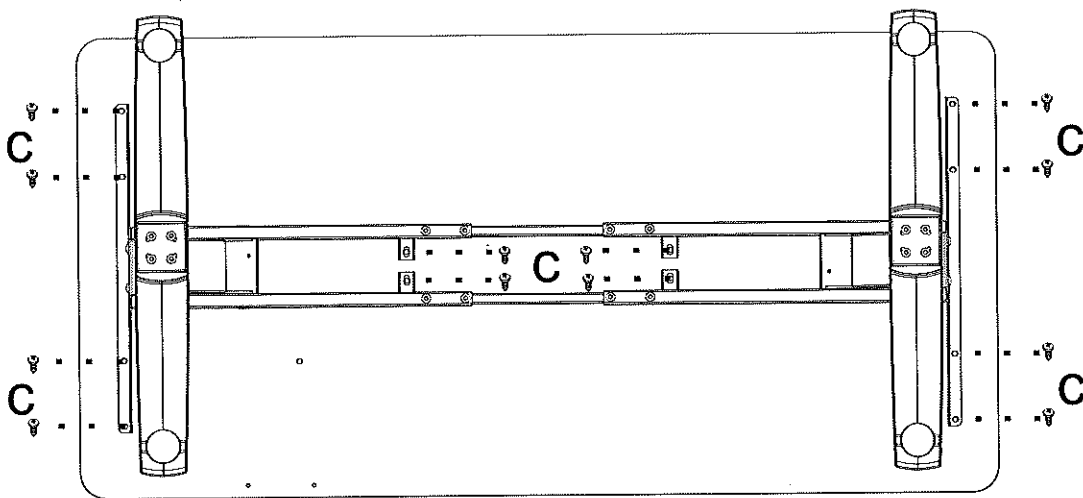
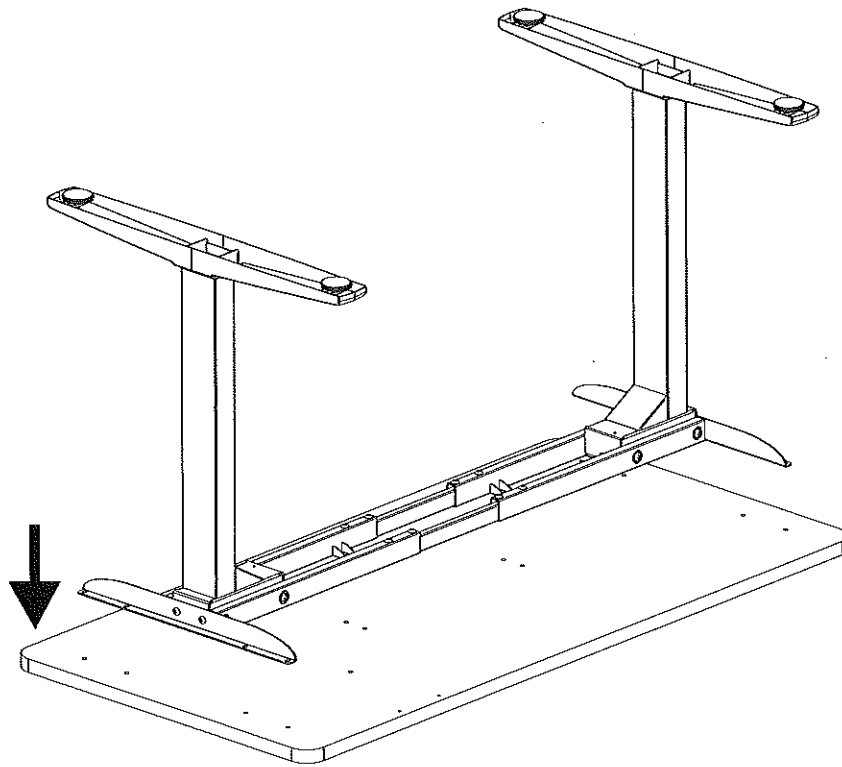
If any parts are missing, broken, damaged or worn, stop use of product until repairs have been made using factory authorized parts. Failure to follow these warnings may result in injury.

ASSEMBLY INSTRUCTIONS
MODEL: PLTEAB4872ULWF24



Before assembly, please remove all parts from the carton, verifying that you have the correct quantities, and read all the instructions.

7

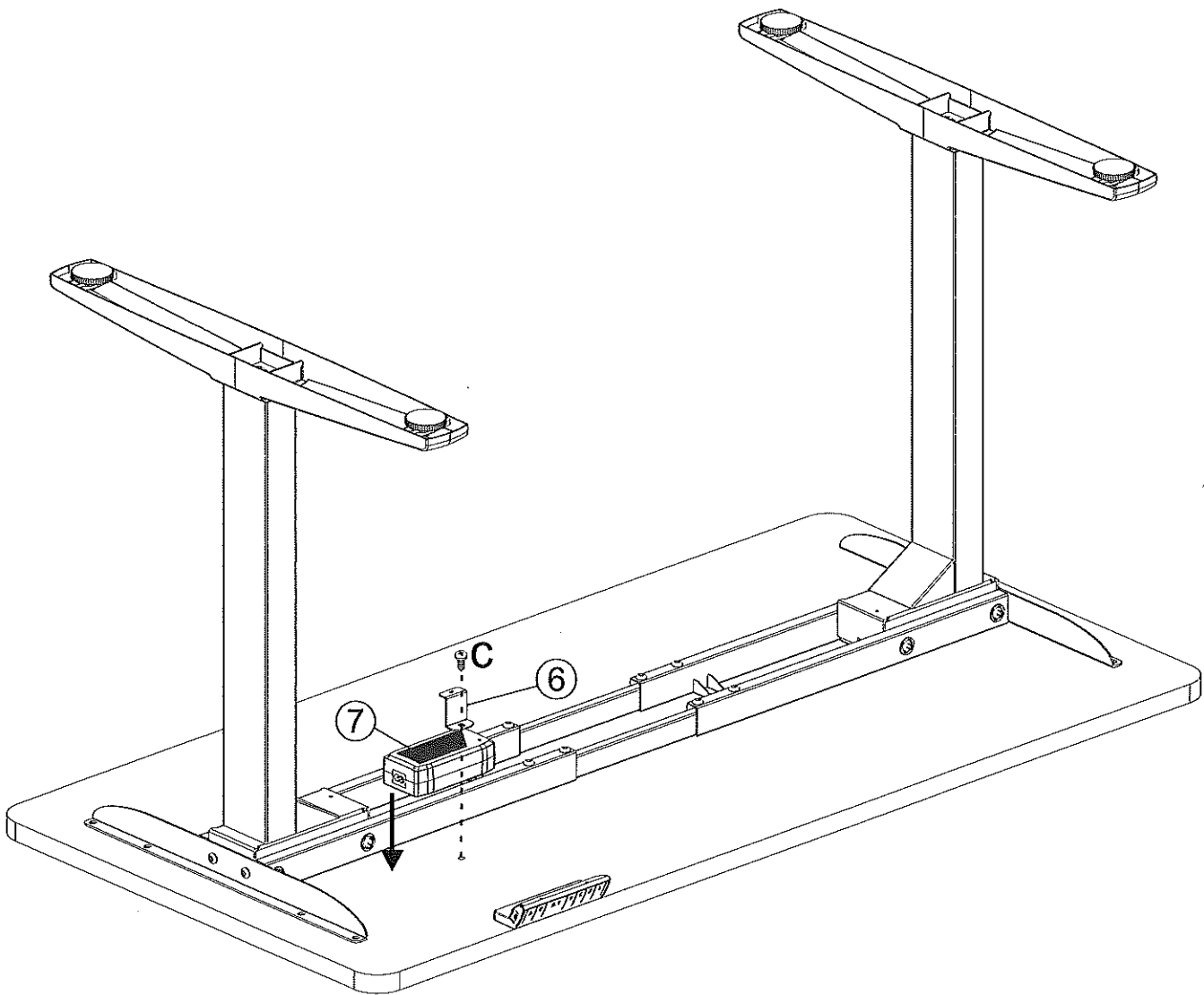


⚠ ATTENTION ⚠

Do not tighten any screws or bolts until the unit is completely assembled.
Ensure all bolts and screws are tightened before using, check bolts and screws every 6 months.
If any parts are missing, broken, damaged or worn, stop use of product until repairs have been made using factory authorized parts.
Failure to follow these warnings may result in injury.

Before assembly, please remove all parts from the carton, verifying that you have the correct quantities, and read all the instructions.

9

**▲ ATTENTION ▲**

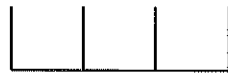
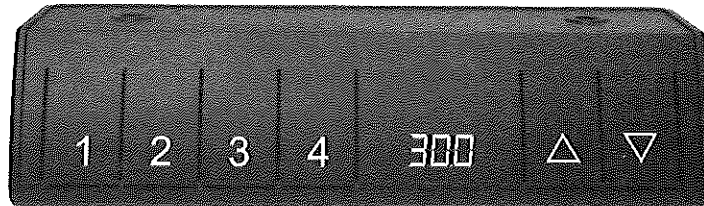
Do not tighten any screws or bolts until the unit is completely assembled.

Ensure all bolts and screws are tightened before using, check bolts and screws every 6 months.

If any parts are missing, broken, damaged or worn, stop use of product until repairs have been made using factory authorized parts.
Failure to follow these warnings may result in injury.

Before assembly, please remove all parts from the carton, verifying that you have the correct quantities, and read all the instructions.

SETTING & USAGE



Memory position



Raise/up Lower/down

Notice

While raising or lowering the table, please make sure objects are secure on the table, and nothing prevents the table from raising or lowering through its desired range of adjustment.



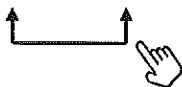
Height Adjustment

Press up ▲ or down ▼ to raise or lower the table to the preferred table height.



Memory Preset

Press and hold key (1, 2, 3, 4) for 2 seconds, then you can set the height to the preferred height for seated or standing work.



Use of Memory Key

Briefly press key (1, 2, 3, 4), the desk will move to the preferred memorized working height.

⚠ Table adjustment stops by pressing any key on the Control pad.

⚠ ATTENTION ⚠

Do not tighten any screws or bolts until the unit is completely assembled.
Ensure all bolts and screws are tightened before using, check bolts and screws every 6 months.
If any parts are missing, broken, damaged or worn, stop use of product until repairs have been made using factory authorized parts.
Failure to follow these warnings may result in injury.

Before assembly, please remove all parts from the carton, verifying that you have the correct quantities, and read all the instructions.

Troubleshooting

⚠ Always disconnect power cord from power source before maintenance on the desk.

Error Code	Issue	Cause of issue	Solution
E02	The desk rises a little and then immediately drops a short distance, or drops a little and then immediately rises a short distance	During the up or down movement the desk hit an obstacle or was tilted	Make sure there are no obstacles in desk's operating space.
Hot	After a period of time being continuously raised and lowered, the desk won't raise or lower anymore.	When continuous adjustment time exceeds 2 minutes, it will trigger overheating protection.	Avoid lifting or lowering the table for 18 minutes and the overheating protection will be lifted.
E10	Table can't be raised or lowered.	1. Abnormal connection with generator. 2. Abnormal motor.	After unplugging the power, make sure motor and handset have reliable connection, then switch on again to perform resetting operation.
E20	Table stopped lifting up/down and moved in the opposite direction.	1. If this appears while the desk is moving upwards, this means that the objects on the desk are too heavy. 2. If that appears while desk is moving downward, it means that it has hit the bottom	1. Remove some heavy objects from the desk. 2. Press the down button for more than 5 seconds to perform the reset procedure.
E60	Two sides of the table are uneven.	The legs height on both sides is inconsistent.	After unplugging the power, make sure motor and handset have reliable connection, then switch on again to perform resetting operation.
	Doesn't match any of the above situations?		Contact the customer service center

⚠ ATTENTION ⚠

Do not tighten any screws or bolts until the unit is completely assembled.
 Ensure all bolts and screws are tightened before using, check bolts and screws every 6 months.
 If any parts are missing, broken, damaged or worn, stop use of product until repairs have been made using factory authorized parts.
 Failure to follow these warnings may result in injury.