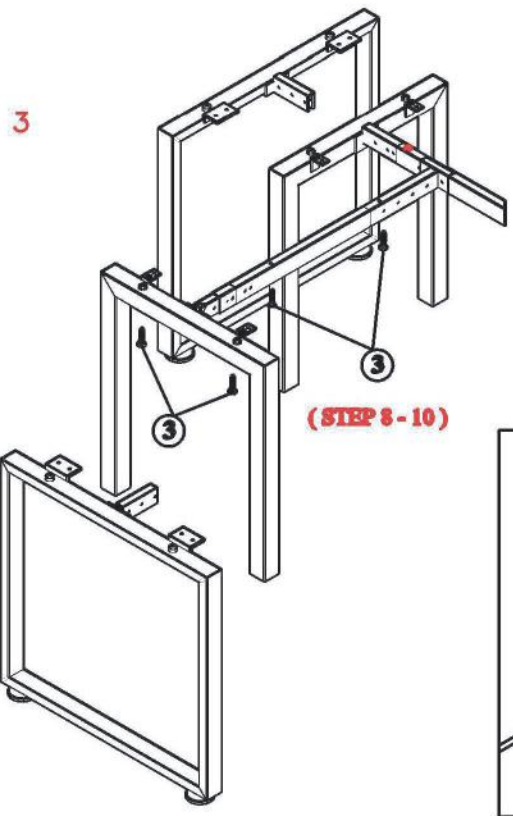
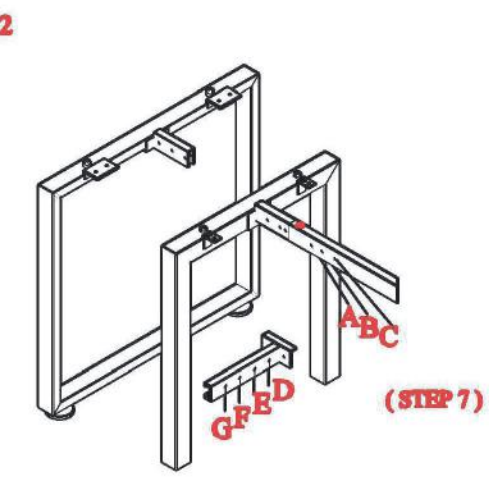
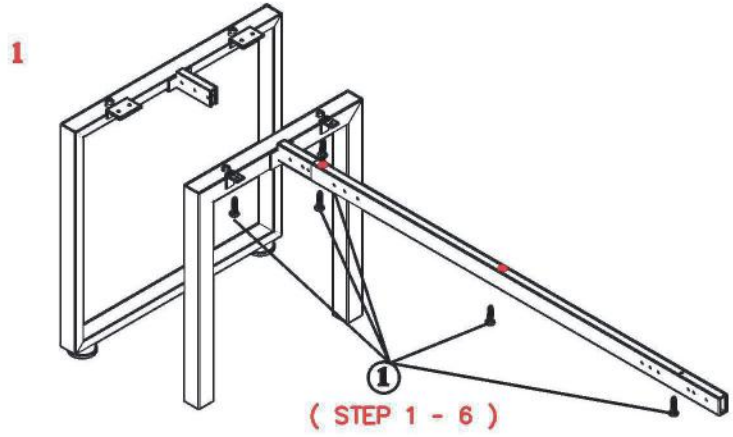


**ASSEMBLY INSTRUCTION**

**PLT LEG - LP - 24 / 30 & PLT LEG - U - 24 / 30**

\*\*Please Note: When attaching the metal legs to the laminate tops, not all of the provided holes on these metal legs will line up with the metal inserts on the laminate tops. The provided wood screws may also need to be used\*\*



**PLT LEG - LP - 24 / 30**  
PART LIST - MAIN DESK BEAM

1		Wood Screw x 20 mm	15 pcs
2		Bolts M6 x 12mm	10 pcs

PART LIST - RETURN BEAM

3		Wood Screw x 20 mm	20 pcs
4		Bolts M6 x 12mm	7 pcs
5		Flat Bracket	2 pcs

**PLT LEG - U - 24 / 30**  
PART LIST - MAIN DESK BEAM

1		Wood Screw x 20 mm	7 pcs
2		Bolts M6 x 12mm	10 pcs

PART LIST - RETURN BEAM

3		Wood Screw x 20 mm	16 pcs
4		Bolts M6 x 12mm	7 pcs
5		Flat Bracket	2 pcs

**- Performance Work Surfaces Are Used In Many Applications. Preinstalled Existing Metal Inserts In The Top Are Not Required For The Element Series, 20 mm Wood Screw Are Provided .**

**DESK**

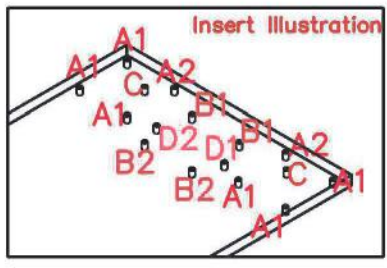
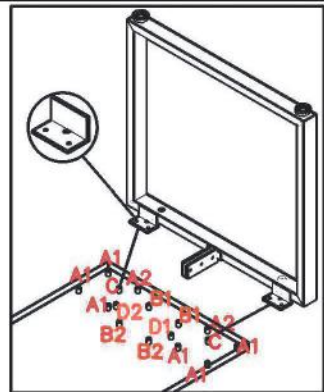
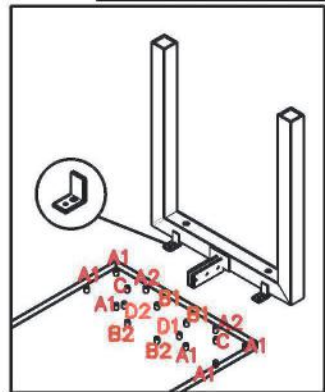
- Place work surface up side down on a clean surface.
- Place both legs up side down on work surface with tabs facing each other .
- Slide cross beam over both tabs on leg.
- Attach cross beam to legs using M6 x 12 mm ( part 2 ) .

**5PLT Leg-LP-24/30 & PLT LEG-U-24/30 when using a PLT top, mount bolt m6x12mm into C hole. (Part 2) Refer to PLT top drawing below (Insert Illustration)**

- Attach center legs on surface by using wood screws ( part 1 ) .  
*Note : The wood screw pack is inside the beam.*
- Flip table over to correct position .

**RETURN ( IF USED ) < SEE PAGE 2 >**

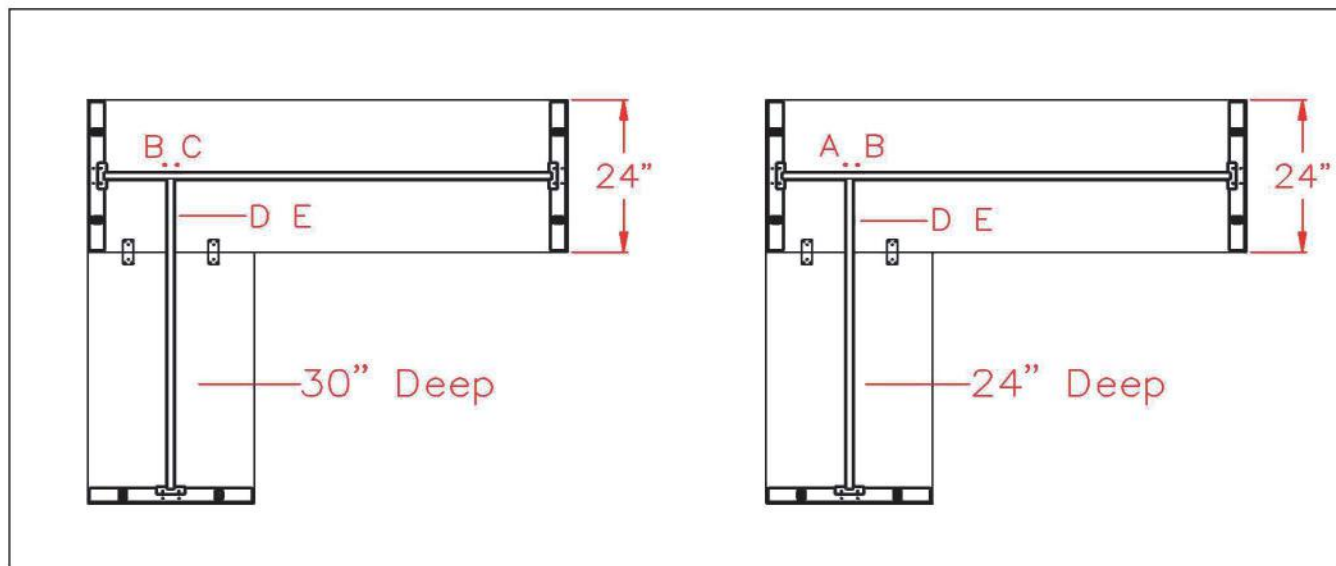
- Attach tab to desk cross beam using M6 x 12mm bolts ( part 4 ) .  
\*Use holes AB for 24" deep returns.  
\*Use holes BC for 30" deep returns.
- Attach cross beam to return leg using M6 x 12mm ( part 4 ) bolts.
- Slide cross beam over tab that is attached to desk cross beam .attach using M6 x 12mm bolts ( part 4 ) .
- Mount top on to return assembly using wood screws ( part 3 ) .  
*Note : The wood screw pack is inside the return beam.*



#### 4. Possible Performance Element Series Configurations

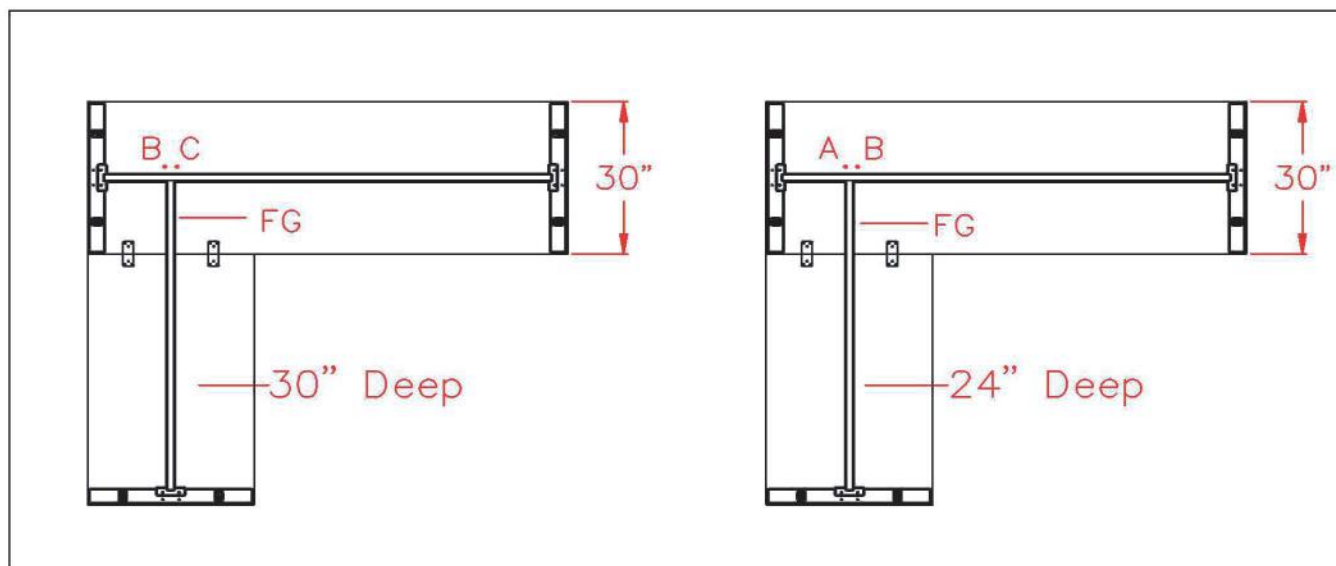
##### When USING 24" Deep Main Top

1. Always use holes DE when main desk is 24" Deep.



##### When USING 30" Deep Main Top

1. Always use holes FG when main desk is 30" Deep.



- # Always use holes AB when return is 24" Deep
- # Always use holes BC when return is 30" Deep

- DO not tighten any screw or bolt until the unit is completely assembled.
- Ensure all bolts and screws are tightened before using the product, check bolts and screws every 6 months.
- If any parts are missing, broken, damaged or worn, stop use of product until repairs have been made using factory authorized parts.
- Failure to follow these warnings may result in injury.