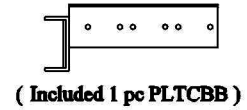
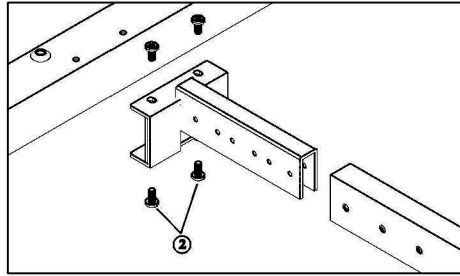
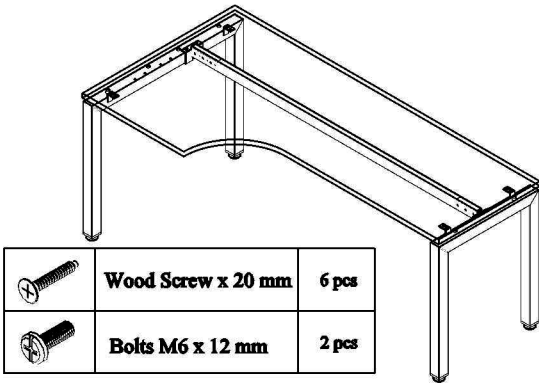


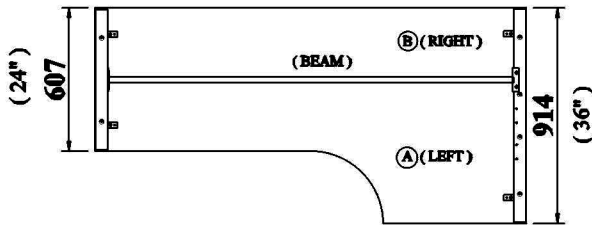
ASSEMBLY INSTRUCTION

PLT LEG U 36



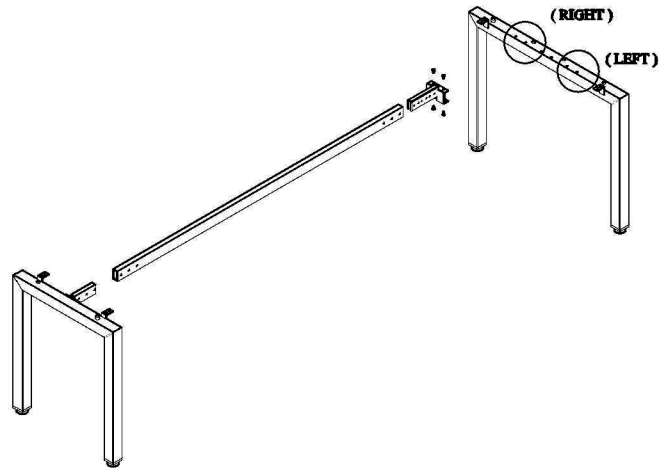
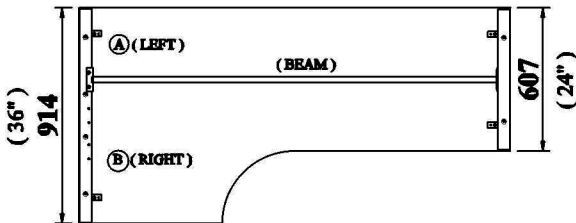
	Wood Screw x 20 mm	6 pcs
	Bolts M6 x 12 mm	2 pcs

	Bolts M6 x 16 mm	4 pcs
--	------------------	-------



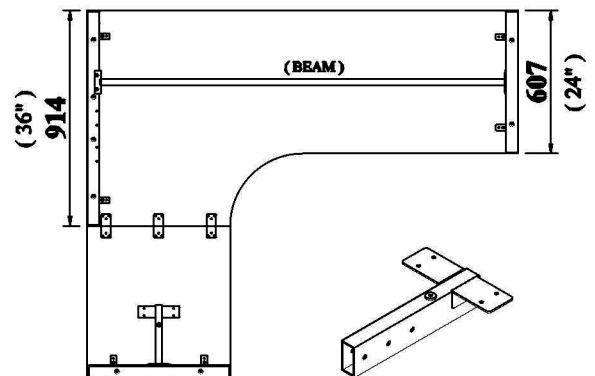
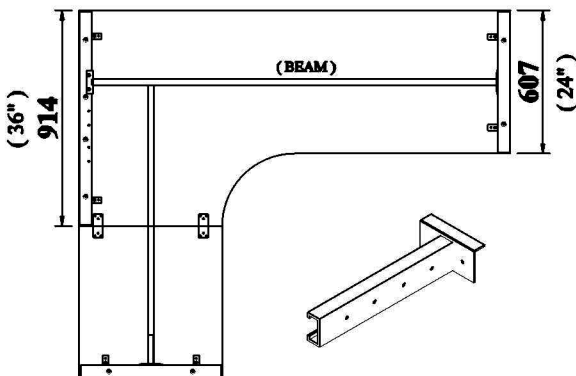
Preinstalled Existing Metal Inserts In The Top Are Not Required For The Element Series, 20 mm Wood Screw Are Provided .
DESK

1. Place work surface up side down on a clean surface.
2. Place both legs up side down on work surface with tabs PLTCBB facing each other .
3. Slide main beam over both tabs on leg.
4. Attach main desk beam to legs using M6 x 12 mm .
5. Attach center legs on surface by using wood screws .
6. Flip table over to correct position .



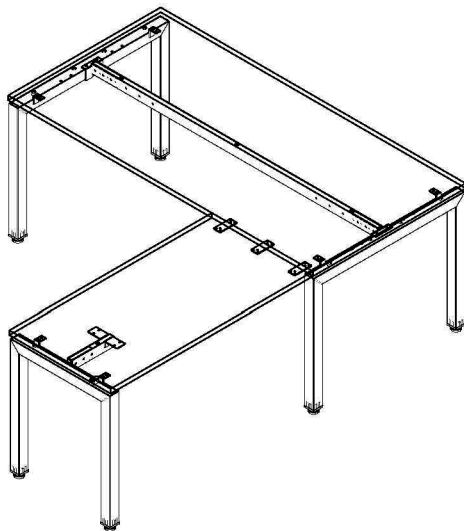
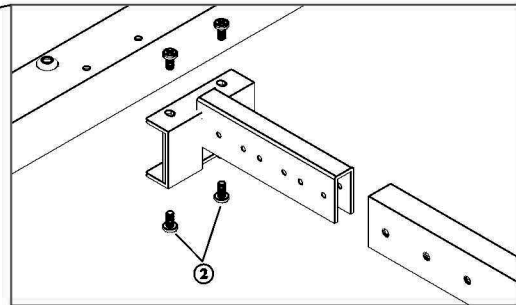
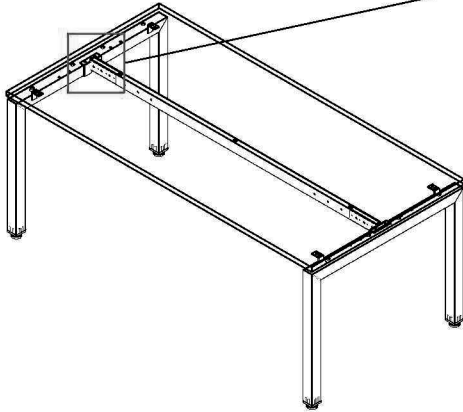
OPTION 1 - RETURN BEAM (IF USE)

OPTION 2 - RETURN SUPPORT (IF USE)



ASSEMBLY INSTRUCTION

PLT LEG U 36

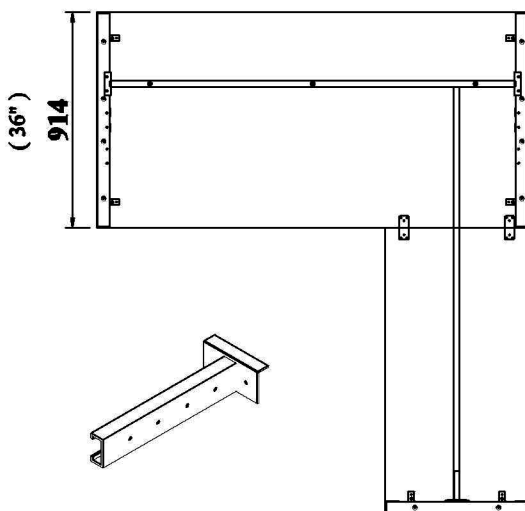


Preinstalled Existing Metal Inserts In The Top Are Not Required For The Element Series, 20 mm Wood Screw Are Provided .

DESK

1. Place work surface up side down on a clean surface.
2. Place both legs up side down on work surface with tabs PLTCBB facing each other .
3. Slide main beam over both tabs on leg.
4. Attach main desk beam to legs using M6 x 12 mm (part 2).
5. Attach center legs on surface by using wood screws (part 1).
6. Flip table over to correct position .

OPTION 1 - RETURN BEAM (IF USE)



OPTION 2 - RETURN SUPPORT (IF USE)

