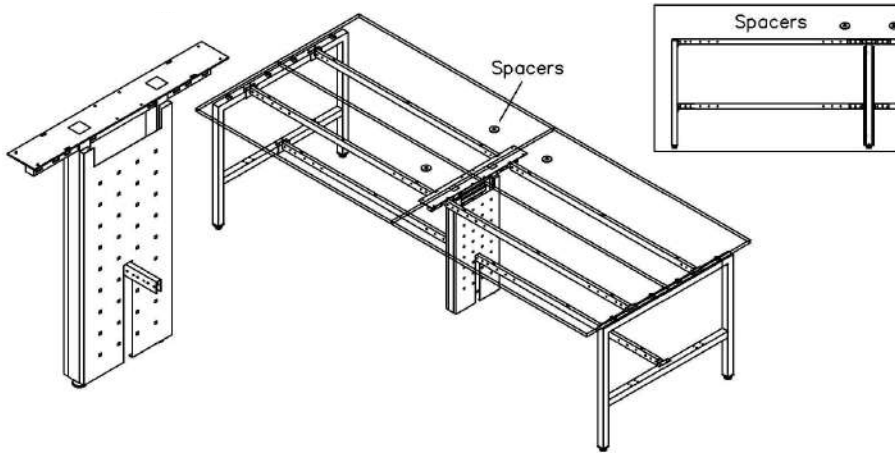


**ASSEMBLY INSTRUCTIONS**  
**MODEL: OS-PLTLEG U 4860ILMB 41+PLTLEG 4860C 41**  
**with through beam connector**

Before assembly, please remove all parts from the carton, verifying that you have the correct quantities, and read all the instructions.



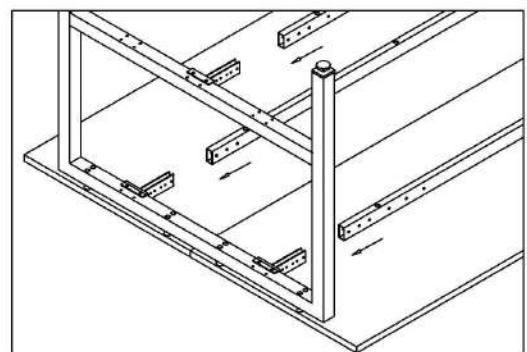
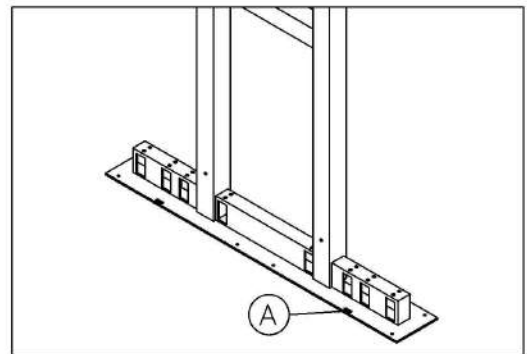
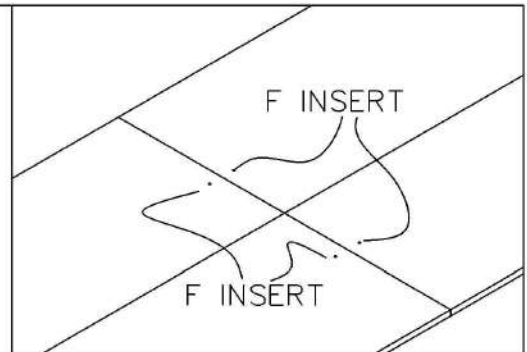
**LEG PARTS LIST**

<b>1</b>		Bolts - 1/2 "	4 pcs
<b>2</b>		Allen Key	1 pc
<b>3</b>		Set Screw	4 pcs
<b>4</b>		Spacers	4 pcs
<b>5</b>		Wood Screw x 20 mm	14 pcs

**THROUGH BEAM PARTS LIST**

<b>6</b>		Bolts - 5/8 "	6 pcs
----------	--	---------------	-------

1. Place two table tops upside down on a clean surface.
2. PLT table tops are used for several application "F" insert per top is used for the PLT LEG-U-4860 ILCMB as per the PLT instructions.
3. Place leg over tops and insert bolt (part 1) through hole "A" in legs and into "F" inserts.
4. Slide cross beam over both tabs on leg.



See Over →

## ASSEMBLY INSTRUCTIONS

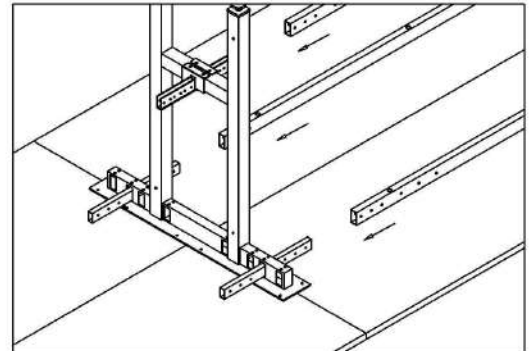
MODEL: OS-PLTLEG U 4860ILMB 41+PLTLEG 4860C 41

with through beam connector

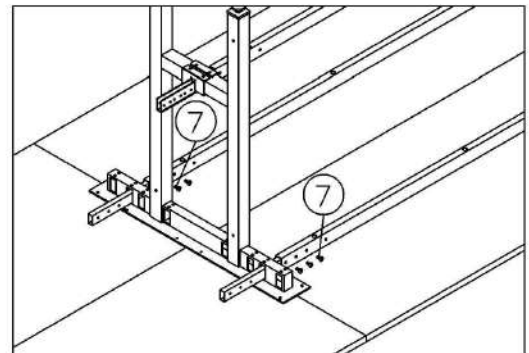
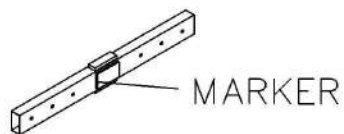


PERFORMANCE  
FURNISHINGS

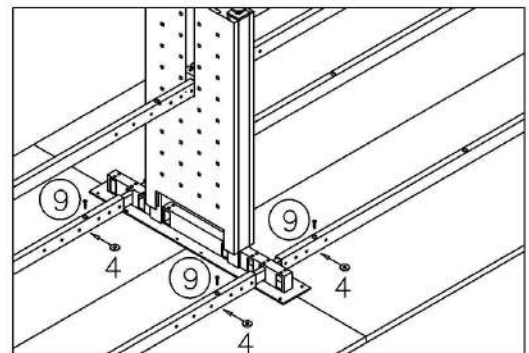
5. Fasten the second leg to the top following step 3 but using hole "A" in the leg. The top should be positioned in the center of the leg.
6. Remove pre-installed end caps from the second leg, insert through beam connectors, through leg openings, and into cross beams.



7. Insert bolts (part 5) through beams into beam connector.
8. Adjust cross beam so the through beam connector marker is centered in the second leg.



9. Insert spacers (part 4) under the cross beam. Tighten the bolts installed in steps 9.



### ⚠ ATTENTION ⚠

Ensure all bolts and screws are tightened, check bolts and screws every 6 months.  
If any parts are missing, broken, damaged or worn, stop use of product until repairs have been made using factory authorized parts.  
Failure to follow these warnings may result in injury.