

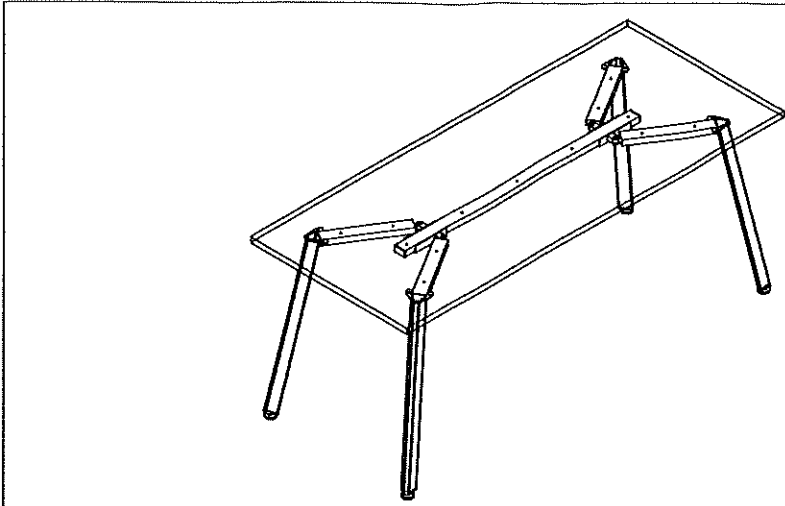
# ASSEMBLY INSTRUCTIONS

## MODEL: PLTADJDFCHAR

Before assembly, please remove all parts from the carton, verifying that you have the correct quantities, and read all the instructions.  
**\*\*Please Note: When attaching the metal legs to the laminated tops, installed D-Nut holes are to be used as a guideline only for installation, wood screws need to be attached as well, whenever they are provided. Not all of the provided holes on these metal legs will line up with the inserts on the laminated tops. The provided wood screw may also need to be used\*\***

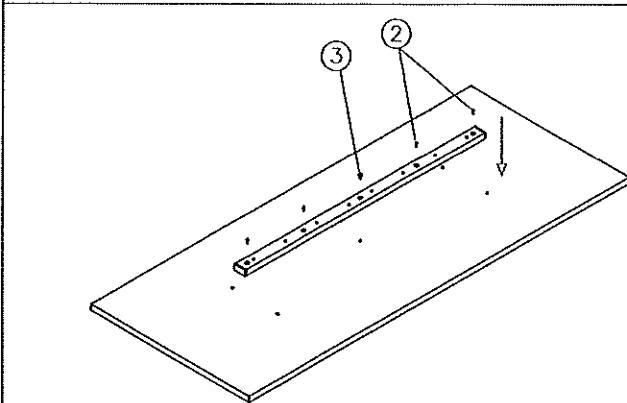
### INSTRUCTIONS:

### IN THE CARTON:



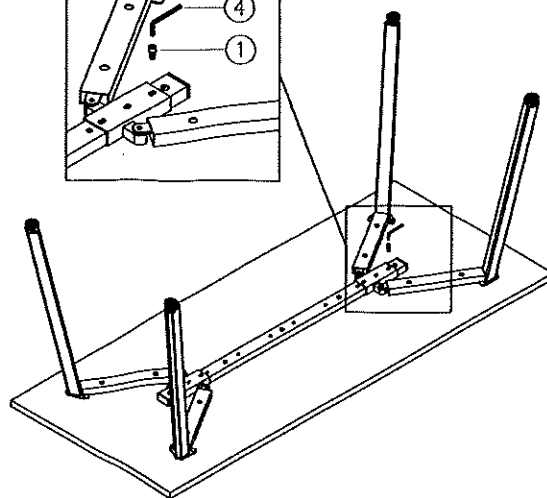
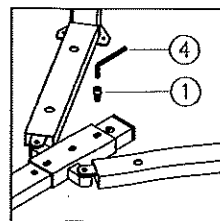
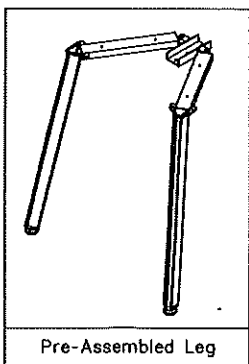
#### Parts List

1		Allen Cap Screw M8 X 16mm	2 pcs
2		Wood Screw M4 X 20mm	16 pcs
3		Bolte M6 X 12mm	5 pcs
4		M6 Allen Key	1 pcs



1. Align the center hole of the main beam to the metal inserts on the table top and screw using bolts M6 x 12mm (part 3).

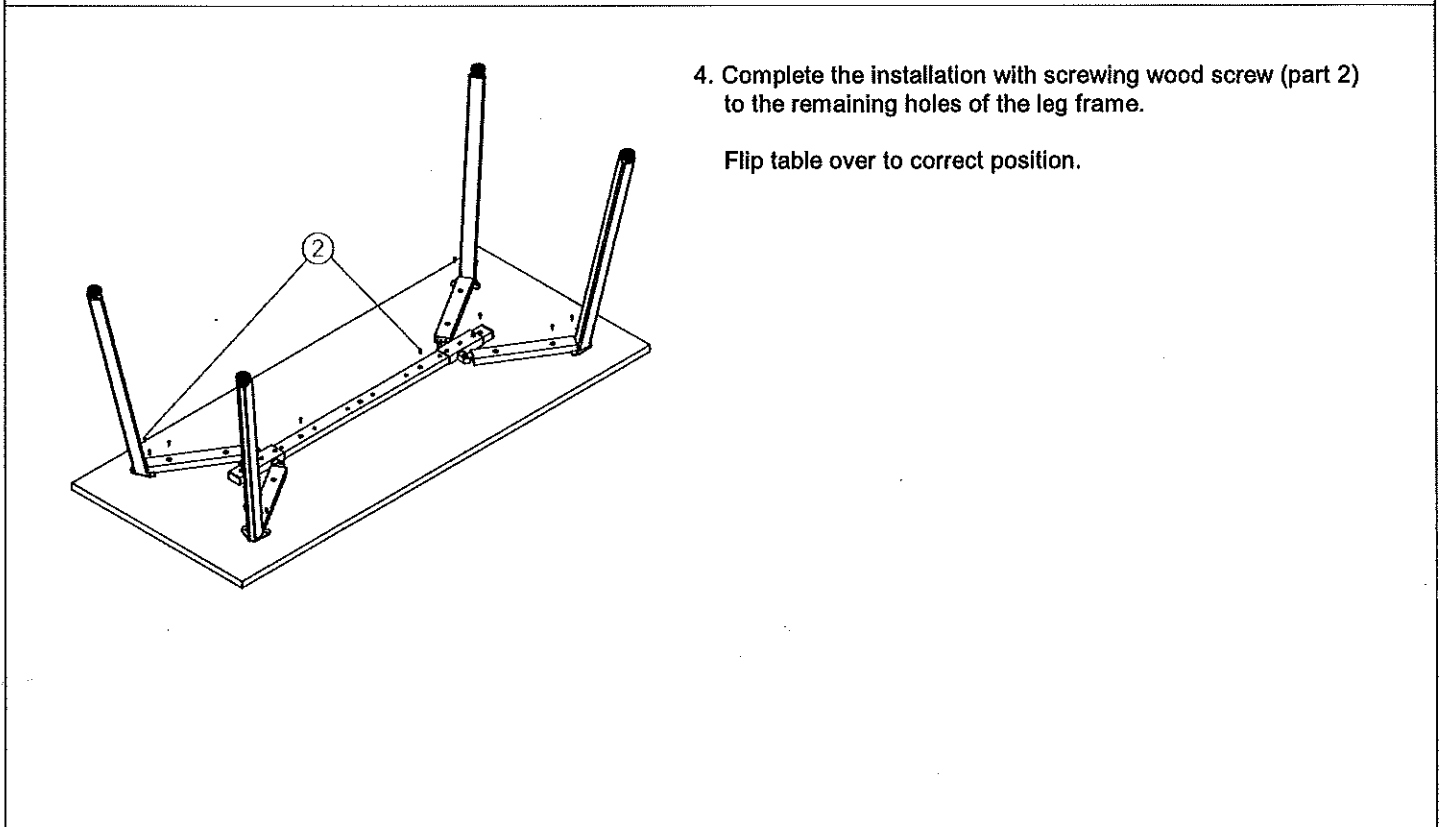
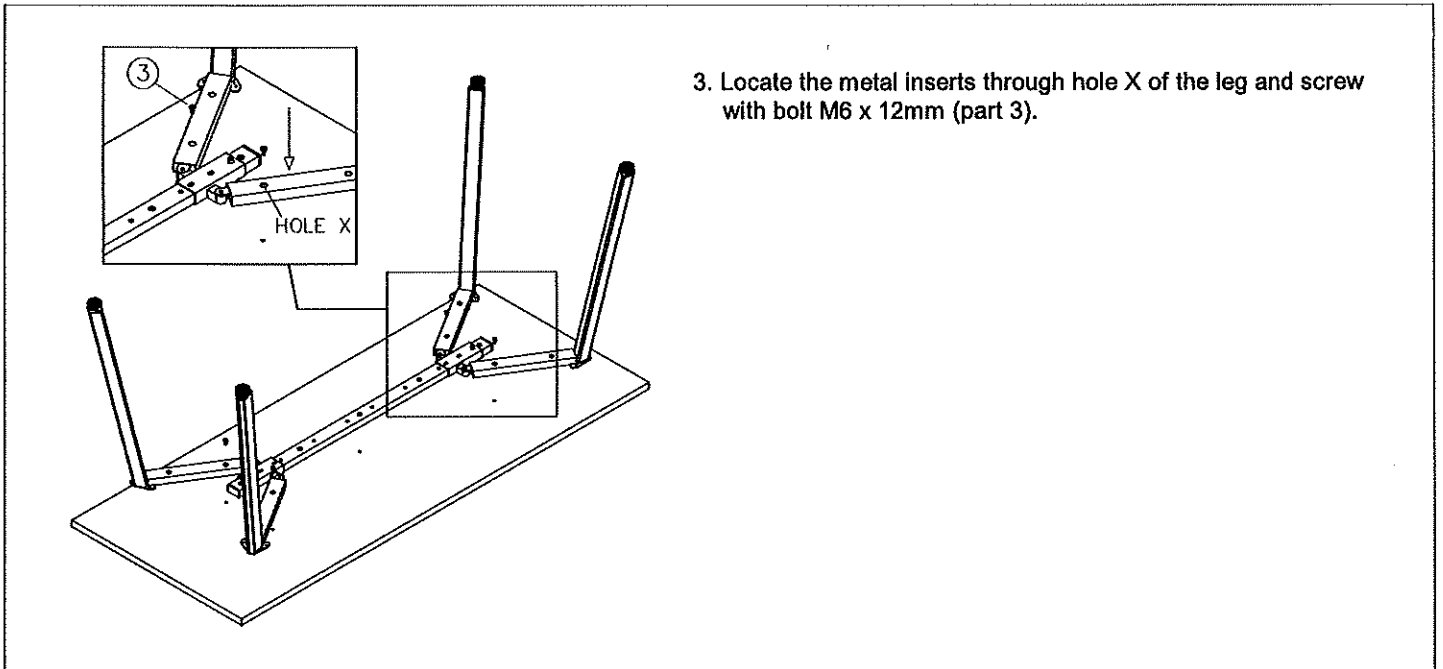
Make sure the main beam is aligned parallel to the table top, then screw with wood screws (part 2).



2. Attach the pre-assembled leg frames to the main beam using Allen cap screw M8 x 16mm (part 1) and Allen key (part 4), following the marking on the main beam.

(\*Refer to main beam marking page)

INSTRUCTIONS:



**▲ ATTENTION ▲**

Do not tighten any screws or bolts until the unit is completely assembled.

Ensure all bolts and screws are tightened before using the table, check bolts and screws every 6 months.

If any parts are missing, broken, damaged or worn, stop use of product until repairs have been made using factory authorized parts. Failure to follow these warnings may result in injury.

# ASSEMBLY INSTRUCTIONS

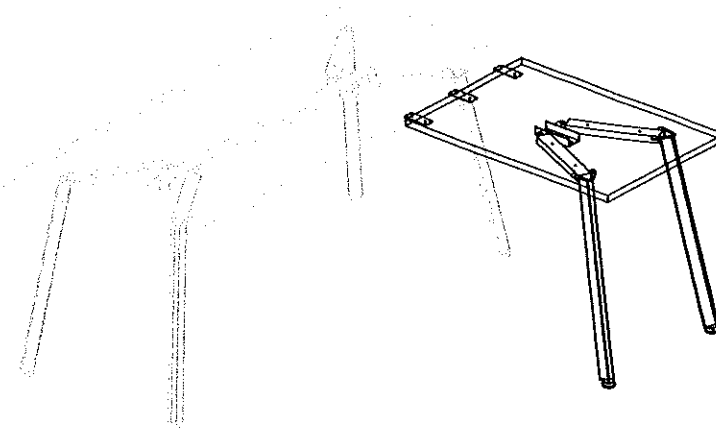
## MODEL: PLTADJRFCHAR




Before assembly, please remove all parts from the carton, verifying that you have the correct quantities, and read all the instructions.

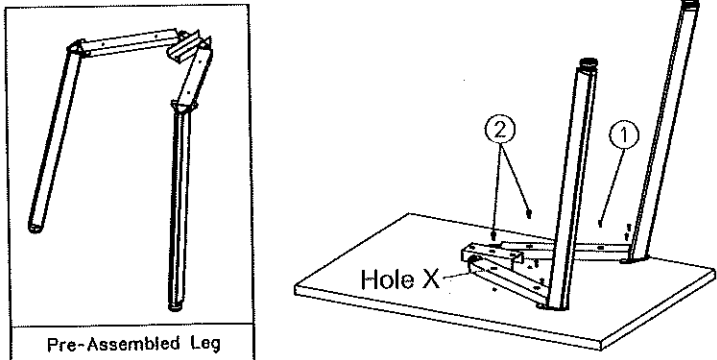
**\*\*Please Note: When attaching the metal legs to the laminated tops, installed D-Nut holes are to be used as a guideline only for installation, wood screws need to be attached as well, whenever they are provided. Not all of the provided holes on these metal legs will line up with the inserts on the laminated tops. The provided wood screw may also need to be used\*\***

### INSTRUCTIONS:

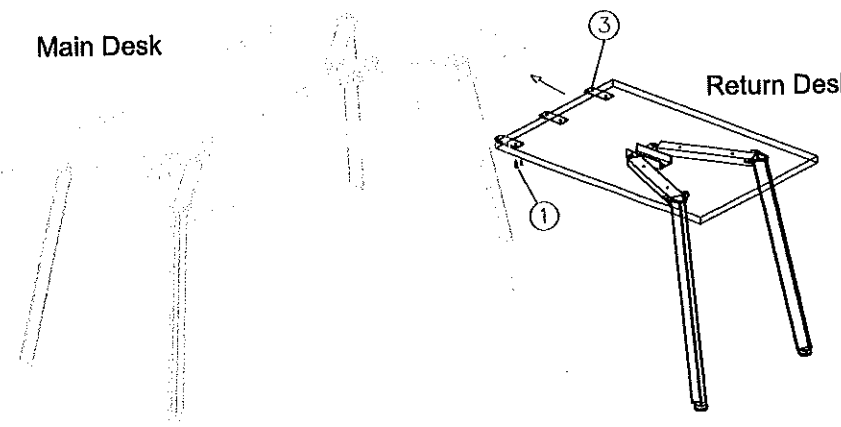
### IN THE CARTON:



Parts List			
1		Wood Screw M4 X 20mm	24 pcs
2		Bolte M6 X 12mm	2 pcs
3		Flat Bracket	3 pcs



1. Locate the metal inserts on the table top through hole X of the pre-assembled leg frame and screw with bolts M6 x 12mm (part 2). Screw the leg to the table top with wood screws (part 1).

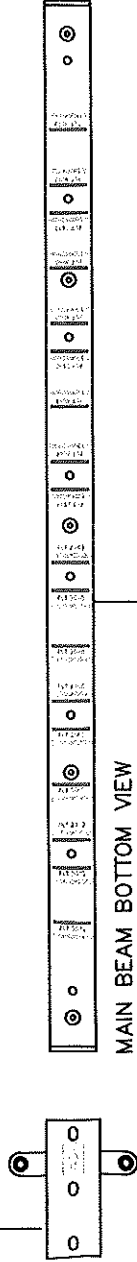


2. Attach the return desk to the main desk with using the flat brackets (part 3) and wood screws (part 1).

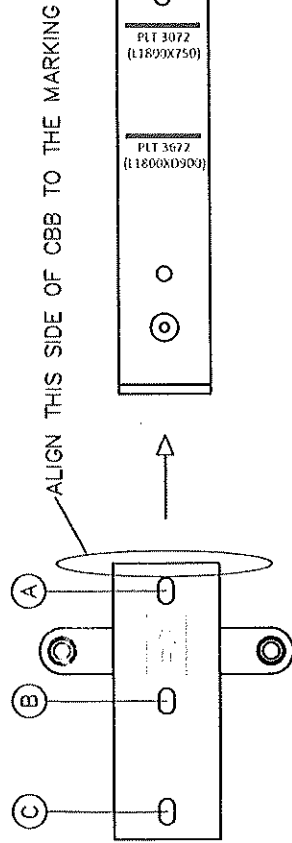


## TELESCOPIC TABLE BEAM MARKING GUIDE

CONNECTOR BEAM BRACKET (CBB)



MAIN BEAM BOTTOM VIEW



FOR DEPTH 600 / 24" TOP - USE HOLE A  
 FOR DEPTH 750 / 30" TOP - USE HOLE C  
 FOR DEPTH 900 / 36" TOP - USE HOLE B

