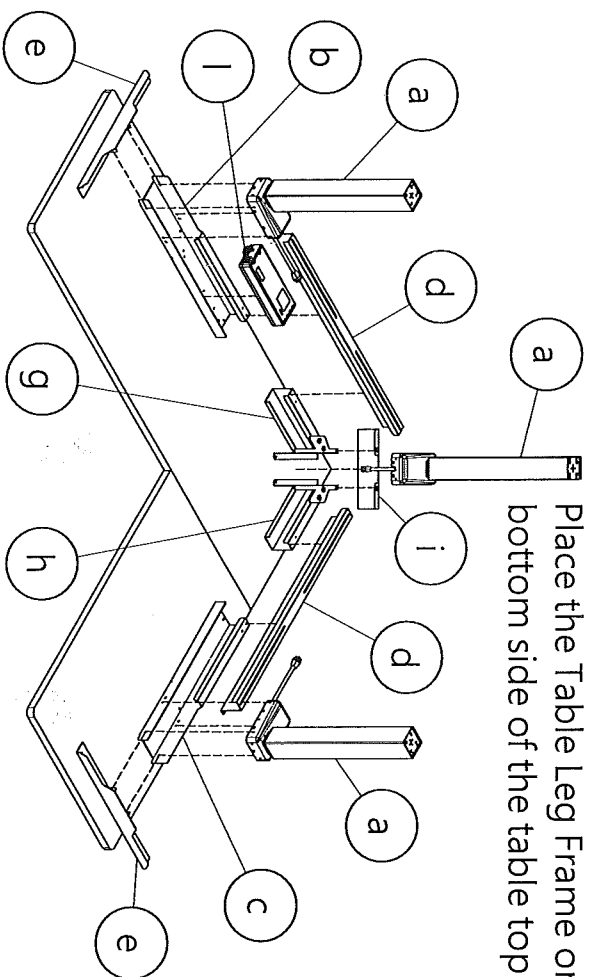
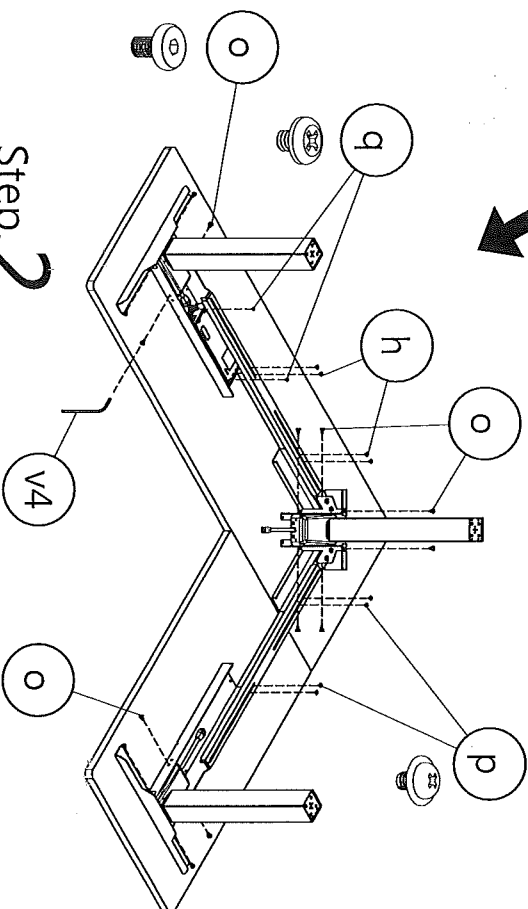


Parts List			
No.	Name	Drawing	QTY
a	Column		3
b	Right Adjustable Beam		1
c	Left Adjustable Beam		1
d	Inner Adjustable Beam		1
e	Side Support		1
f	Feet		2
g	Center Post Bracket (Right)		1
h	Center Post Bracket (Left)		1
i	Center Post Bracket (Rear)		1
j	Center Post Base		1
k	Desk Top Support Bracket		1
l	Controller		1
m	Extension Cable 200cm		1
n	Handset		1
o	Screw M6x10		8
p	Screw M5x6		4
q	Screw 4x5		2
r	Screw M10x35		8
s	Screw M10x20		4
t	Screw 5x22		39
u	Screw 3x19		2
v4	Allen Key 4		1
v5	Allen Key 5		1
v8	Allen Key 8		1
w	Glide		5
x	Power Cable		1

Place the Table Leg Frame on the bottom side of the table top.



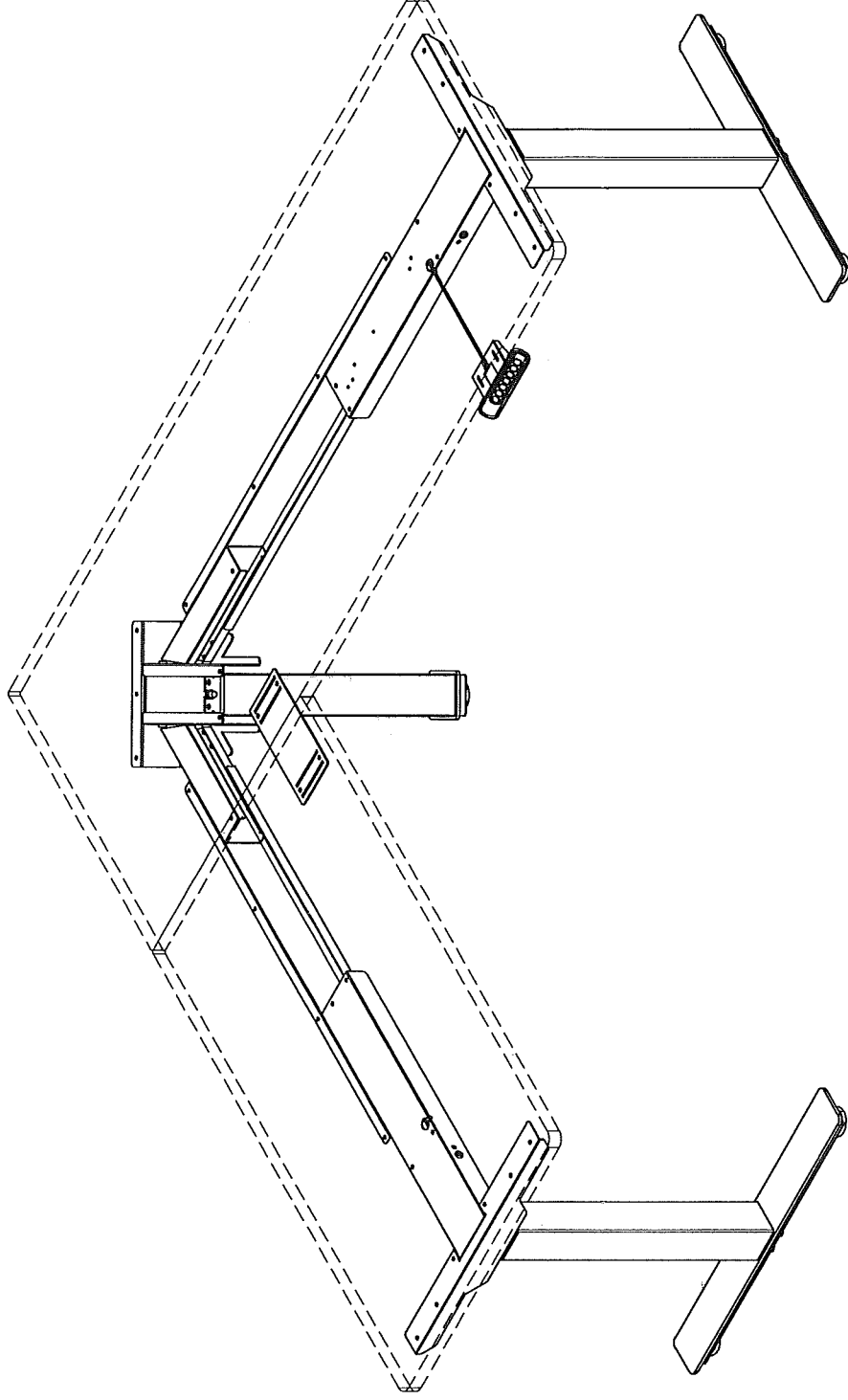
Step. 1



Step. 2



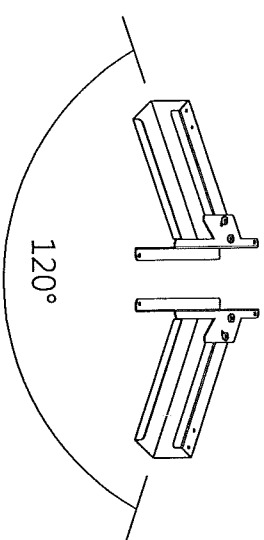
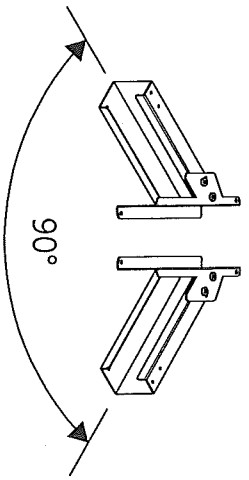
Before assembly, please remove all parts from the carton, verifying that you have the correct quantities, and read all the instructions.



▲ ATTENTION ▲

Ensure all bolts and screws are tightened, check bolts and screws every 6 months.
If any parts are missing, broken, damaged or worn, stop use of product until repairs have been made using factory authorized parts.
Failure to follow these warnings may result in injury.

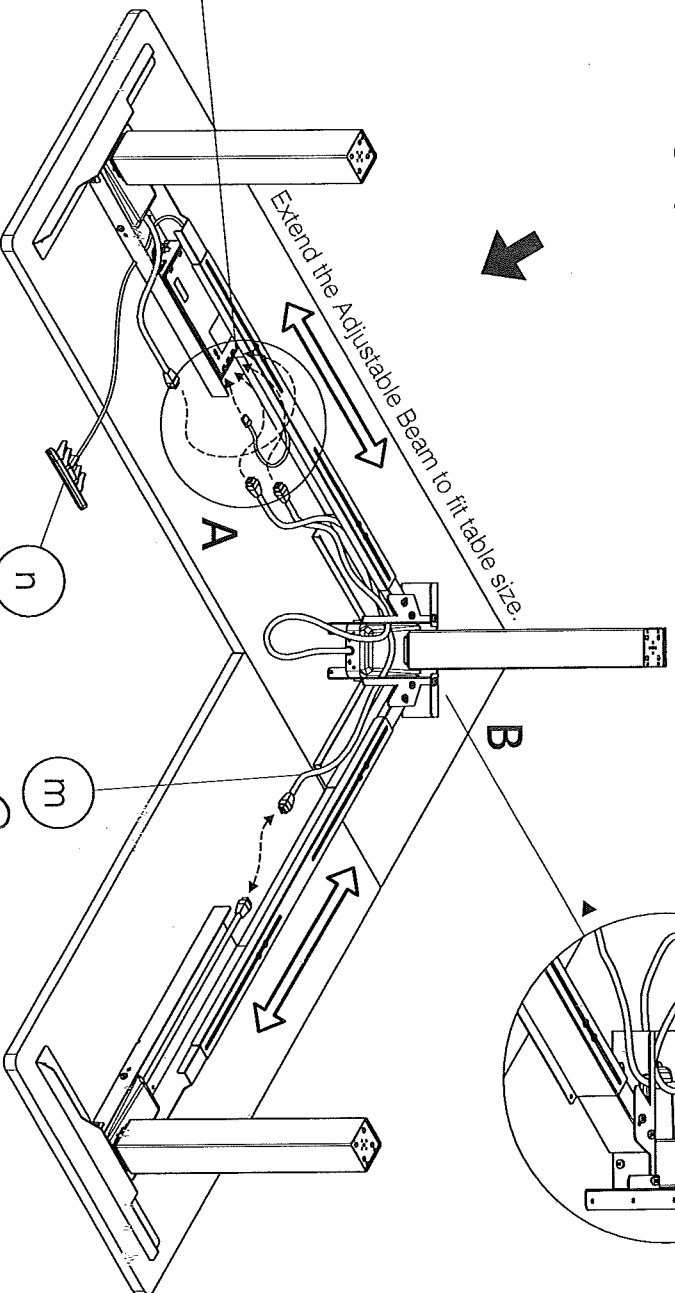
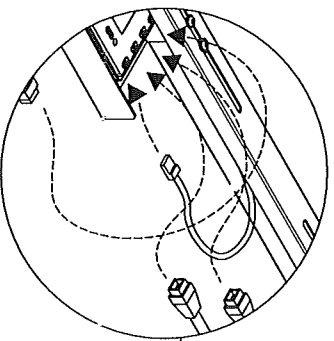
ASSEMBLY INSTRUCTIONS
MODEL: PLTECAB6078E3S3MLWF



Customized Option : Use Allen Key 4 to Rotate Center Post Bracket
 at the angle you want.

Step. 3

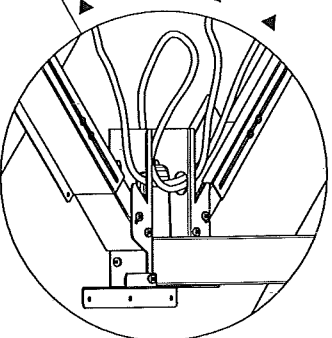
Detail A

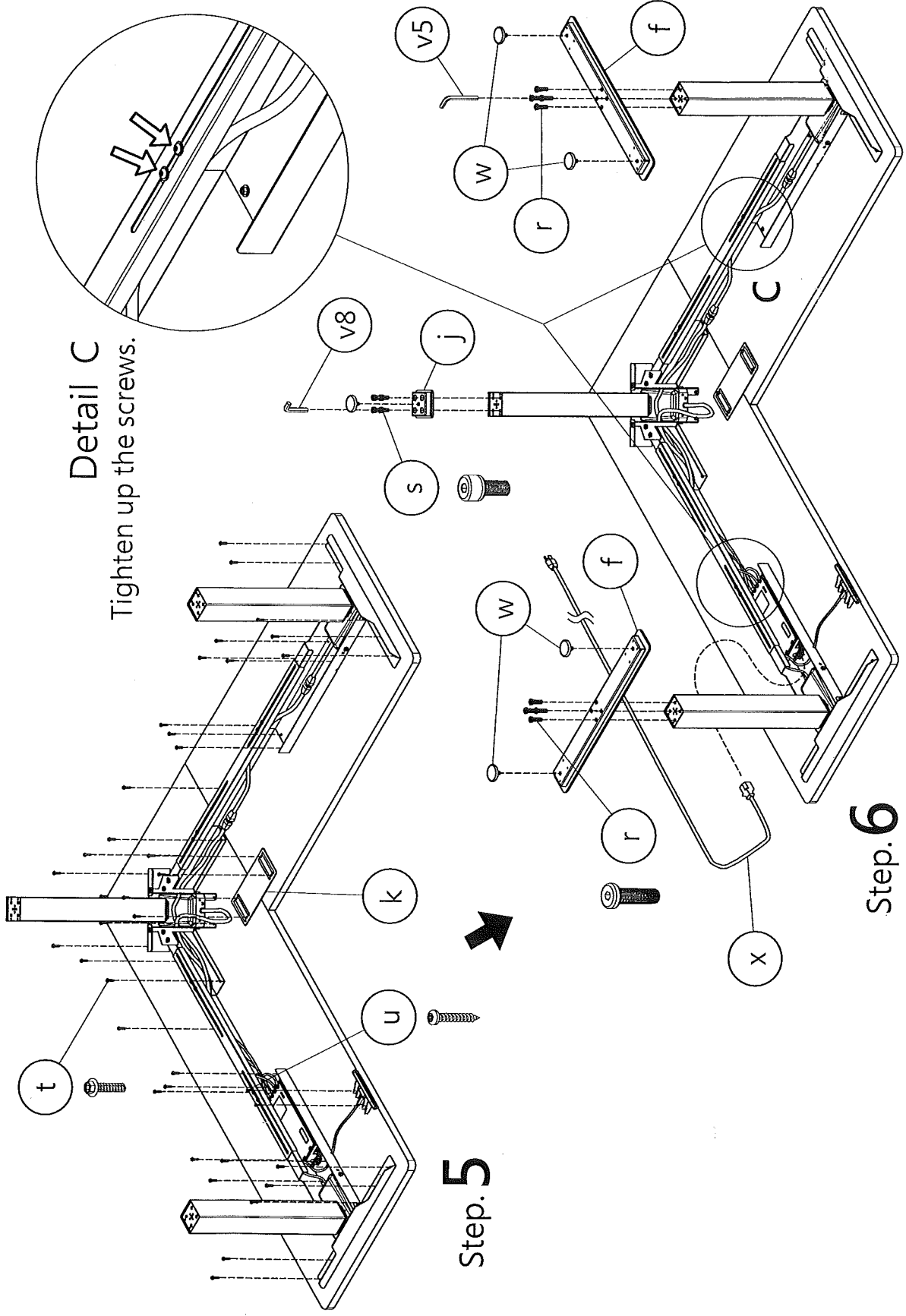


Step. 4

Put Handset's connecting
 line through the hole below
 the left Adjustable Beam.

Detail B





※ Important ※

Reset the table before use :

1. Press and hold \wedge & \vee for more than 3 seconds.
2. Continue pressing both buttons until both columns are in the lowest position.
3. The table will rebound 2-5mm.
4. Release the buttons, now the table is operational.

